



Page 2-11  
**Installation Manual**  
Internet Firewall  
A1051 Series



Seite 12-21  
**Installationsanleitung**  
Internet Firewall  
A1051 Serie



Page 22-31  
**Manuel d'installation**  
Pare-feu Internet  
A1051 Serie



Páginas 32-39  
**Manual de instalación**  
Cortafuegos de Internet  
A1051 Serie



Pagina 40-51  
**Istruzioni per l'installazione**  
Internet Firewall  
Serie A1051

# A1051

## INSTALLATION MANUAL

Read these instructions carefully before starting to use any components. Keep the manual so you can refer to it at a later date if required. If you hand over the device to other persons for use, please hand over the operating manual as well.

You can always find the most up-to-date version of the installation manual on [www.doorbird.com/support](http://www.doorbird.com/support). To make things easier we use the term "device" for the product "Internet Firewall A1051" and "mobile device" for a smartphone or tablet.

### Liability

Every care has been taken in the preparation of this document. Please inform Bird Home Automation GmbH of any inaccuracies or omissions. Bird Home Automation GmbH cannot be held responsible for any technical or typographical errors and reserves the right to make changes to the product and manuals without prior notice. Bird Home Automation GmbH makes no warranty of any kind with regard to the content of this document, including, but not limited to, the implied warranties of merchantability and fitness for a particular purpose. Bird Home Automation GmbH shall neither be liable nor responsible for incidental or consequential damages in connection with the furnishing, performance or use of this material. This product is only to be used for its intended purpose.

### Equipment Modifications

This equipment must be installed and used in strict accordance with the instructions given in the user documentation. This equipment contains no components that require service by the user. Unauthorized equipment changes or modifications will invalidate all applicable regulatory certifications and approvals.

### Symbols used



**Danger:** Indicates a hazardous situation which, if not avoided, will result in death or serious injury.



**Warning:** Indicates a hazardous situation which, if not avoided, could result in death or serious injury.



**Caution:** Indicates a hazardous situation which, if not avoided, could result in minor or moderate injury.



**NOTICE** **Notice:** Indicates a situation which, if not avoided, could result in damage to property.



**Important:** Indicates significant information which is essential for the product to function correctly.



**Note:** Indicates useful information which helps in getting the most out of the product.

## Hazard information



### WARNING

- Mounting, installation and servicing work on electrical devices may only be performed by a qualified electrician. Failure to observe this regulation could result in the risk of serious damage to health or fatal injury due to electric shocks.
- Devices with 110-240 V connection: The device may only be connected to an easily accessible power socket outlet. The mains adapter must be pulled out if a hazard occurs.
- For power supply, only use the original plug-in mains adapter delivered with the device, separately available DIN rail power supplies or a recommended PoE-Switch/PoE-Injector as specified in this manual.
- Because of electrostatic charging, direct contact with the circuit board can result in destruction of the device. Direct contact with the circuit board must therefore be avoided at any time.
- Observe the EN 60065 resp. EN 60950 resp. EN 62368 standard.
- Do not use the device if there are signs of damage to the housing, control elements or connecting sockets, for example, or if it demonstrates a malfunction. If you have any doubts, please have the device checked by an authorized expert.
- Do not open the device. This voids the warranty of the device. The device does not contain any parts that can be maintained by the user. In the event of an error, please have the device checked by an authorized expert.
- For safety, approval and licensing reasons (CE/FCC/IC etc.), unauthorized change and/or modification of the device is not permitted.
- The device is not a toy: do not allow babies and children to play with it.
- To avoid the danger of suffocation, keep any packing materials away from babies and children. Plastic films/bags, pieces of polystyrene, etc. are not a toy and can be dangerous in the hands of a child. Discard any packing materials immediately after removing the product. Do not reuse packing materials.
- Always lay cables in such a way that they do not become a risk to people and domestic animals.
- Voltage is applied to parts within the equipment. Do not touch any parts that are not associated with the installation, wiring, or connection. Electric shock could result.
- On devices which are not marked as weather-proof: Keep the device away from water or any other liquid.
- Do not install or make any wire terminations while power supply is plugged in. It can cause electric shock or damage to the device.

**WARNING**

- Before turning on power, make sure wires are not crossed or shorted. If not, fire or electric shock could result.
- High voltage may be present internally. Do not open the device. Electric shock could result.
- The device is not of explosion-proof. Do not install or use near gases or flammable materials. Fire or explosion could result.
- Do not install two power supplies in parallel to a single input. Fire or damage to the device could result. Be sure to connect a single power supply to the device.
- Do not connect any terminal on the device to an AC power line. Fire or electric shock could result.
- Keep AC cord from being marred or crushed. If the AC cord is fractured, fire or electric shock could result.
- Do not plug or unplug with wet hands. Electric shock could result.
- Do not put any metal or flammable material into the device. Fire, electric shock, or device trouble could result.
- Existing wiring may contain high voltage AC electricity. Damage to the device or electric shock could result. Wiring and installation must be done by a qualified electrician.
- When mounting the device on a wall or ceiling, install the device in a convenient location, but not where it could be jarred or bumped. Injury could result.
- On devices with ground terminals, connect to an earth ground. Otherwise fire or malfunction could result.
- On devices with plastic or real glass, do not put high pressure on the glass. If fractured, injury could result.
- On devices with LCD, if LCD is punctured, do not allow contact with the liquid crystal inside. Injury could result. If necessary, gargle your mouth and clean your eyes or skin with clear water for at least 15 minutes and consult your doctor.
- Do not put anything on the device or cover the device with cloth, silicone, glue, coating, separate covering etc. Fire or device issues could result.
- Do not install the device in any of the following locations. Fire, electric shock, or device trouble could result.
  - Places under direct sunlight or places near heating equipment that varies in temperature.
  - Places subject to dust, oil, chemicals, hydrogen sulfide (hot spring).
  - Places subject to moisture and humidity extremes, such as bathrooms, cellars, greenhouses, etc.
  - Places where the temperature is very low, such

as inside a refrigerated area or in front of an air conditioner.

- Places subject to steam or smoke (e.g. near heating or cooking surfaces).
- Where noise generating devices such as dimmer switches or inverter electrical appliances are close by.
- Locations subject to frequent vibration or impact.
  - On devices with intercom, be sure to perform a call test with low audio volume on both intercom devices. A sudden call etc. may arrive causing for example damage to your ear.
  - If the device does not operate properly, unplug the power supply.
  - All devices which are not marked as weather-proof are designed for indoor use only. Do not use outdoor.
  - On devices which are marked weather-proof. Do not spray with high-pressure water. Device issues could result.
  - We do not assume any liability for damage to property or personal injury caused by improper use or the failure to observe the hazard information. In such cases, any claim under warranty ceases. For consequential damages, we assume no liability!

**Safety instructions**

- The device shall be used in compliance with local laws and regulations.
- Store the device in a dry and ventilated environment.
- Avoid exposing the device to shocks or heavy pressure.
- Do not install the device on unstable brackets, surfaces or walls. Make sure the material is strong enough to support the weight of the device.
- Use only applicable tools when installing the device. Using excessive force with tools could cause damage to the device.
- Do not use chemicals, caustic agents, or aerosol cleaners.
- Use a clean dry cloth for cleaning.
- Use only accessories that comply with technical specification of the device. These can be provided by Bird Home Automation GmbH.
- Use only spare parts provided by or recommended by Bird Home Automation GmbH.
- Do not attempt to repair the device by yourself. Contact Bird Home Automation GmbH for service matters.
- Keep the device more than 1 m (3.3') away from microwave, radio, TV, wireless router and any other wireless devices.

- On devices with intercom or built-in speaker or built-in microphone or signal transmission functions, keep the wires more than 30 cm (12") away from AC 100-240 V wiring. AC induced noise and/or device malfunction could result.
- Install the device in an area that will be accessible for future inspections, repairs and maintenance.
- If the device is used close to a cellular phone, the device may malfunction.
- The device can be damaged if dropped. Handle with care.
- The device turns inoperative during power failure.
- On devices with intercom or built-in speaker or built-in microphone, in areas where cellular or Radio / TV broadcasting station antennas are close by, the device may be affected by radio frequency interference.
- On devices with LCD screen, it must be noted in advance that the LCD panel, though manufactured with very high precision techniques, inevitably will have a very small portion of its picture elements always lit or not lit at all. This is not considered a device malfunction.
- On devices with intercom, due to the environmental sound around the device, it may hinder smooth communication, but this is not a malfunction.
- On devices with Username/Password, the Username/Password to access the device is the customer's responsibility. Make sure to use a password that cannot be easily guessed by a third party. We recommend that you change the Password on a regular basis.
- We will, under no circumstances, be liable for damage that occurs due to failures in power supply, network equipment or terminal devices; failures due to Internet providers and cellular network providers; failures such as disconnected lines and other losses in communication, which makes it impossible to provide this service as well as in any way delay this service due to any other causes outside of our responsibility; or if an error or missing data occurs during transmission.

**FCC Caution:**

Any Changes or modifications not expressly approved by the party responsible for compliance could void the user's authority to operate the equipment. This device complies with part 15 of the FCC Rules. Operation is subject to the following two conditions: (1) This device may not cause harmful interference, and (2) this device must accept any interference received, including interference that may cause undesired operation.

Note: This equipment has been tested and found to comply with the limits for a Class B

digital device, pursuant to part 15 of the FCC Rules. These limits are designed to provide reasonable protection against harmful interference in a residential installation. This equipment generates, uses and can radiate radio frequency energy and, if not installed and used in accordance with the instructions, may cause harmful interference to radio communications. However, there is no guarantee that interference will not occur in a particular installation. If this equipment does cause harmful interference to radio or television reception, which can be determined by turning the equipment off and on, the user is encouraged to try to correct the interference by one or more of the following measures:

- Reorient or relocate the receiving antenna.
- Increase the separation between the equipment and receiver.
- Connect the equipment into an outlet on a circuit different from that to which the receiver is connected.
- Consult the dealer or an experienced radio/TV technician for help.

This equipment complies with FCC radiation exposure limits set forth for an uncontrolled environment. This transmitter must not be co-located or operating in conjunction with any other antenna or transmitter.

**IC Statement**

**EN:** This device complies with Industry Canada license-exempt RSS standard(s). Operation is subject to the following two conditions:

- (1) this device may not cause interference, and
- (2) this device must accept any interference, including interference that may cause undesired operation of the device.

This Class B digital apparatus complies with Canadian ICES-003.

IC radiation exposure: This equipment complies with ISEDC radiation exposure limits defined for a controlled environment. This transmitter must not be co-located or operated in conjunction with any other antenna or transmitter.

**FR:** Le présent appareil est conforme aux CNR d'Industrie Canada applicables aux appareils radio exempts de licence. L'exploitation est autorisée aux deux conditions suivantes:

- (1) l'appareil ne doit pas produire de brouillage, et
- (2) l'utilisateur de l'appareil doit accepter tout brouillage radioélectrique subi, même si le brouillage est susceptible d'en compromettre le fonctionnement.

Cet appareil numérique de la classe B est conforme à la norme NMB-003 du Canada.

IC exposition aux radiations: Cet équipement est conforme avec ISEDC les limites d'exposition aux rayonnements définies pour un contrôlé environnement. Cet émetteur ne doit pas être co-localisés ou fonctionner en conjonction avec une autre antenne ou émetteur.



**Information on disposal for users of waste electrical & electronic equipment (private household)**

This symbol on the products and/or accompanying documents means that used electrical and electronic products should not be mixed with general household waste. For proper treatment, recovery and recycling, please take these products to designated collection points, where they will be accepted on a free of charge basis. Alternatively, in some countries you may be able to return your products to your local retailer upon the purchase of an equivalent new product. Disposing of this product correctly will help to save valuable resources and prevent any potential negative effects on human health and the environment which could otherwise arise from inappropriate waste handling. Please contact your local authority for further details of your nearest designated collection point. Penalties may be applicable for incorrect disposal of this waste, in accordance with national legislation.

**Information on disposal in other countries outside the European Union**

This symbol is only valid in the European Union. If you wish to discard this product, please contact your local authorities or dealer and ask for the correct method of disposal.

**Transportation**

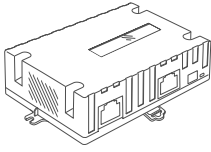


When transporting the device, use the original packaging or equivalent to prevent damage to the device.

**Warranty Information**

For information about the device warranty, see [www.doorbird.com/warranty](http://www.doorbird.com/warranty)

## COMPONENTS\*



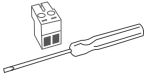
1x A1051 Internet Firewall



1x Installation manual



1x Quickstart guide  
with Digital Passport



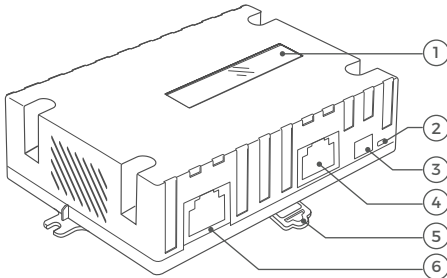
1x Screw connection  
terminal plug and  
screw driver



2x Phillips countersunk head  
screws and dowels

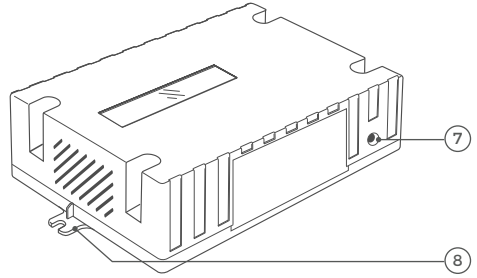
## DEVICE

### Front



- 1) LCD Status display  
Blue backlit LCD display for status and quick error analysis
- 2) PWR LED  
Power and diagnostic LED to display the current status of the device.
- 3) 15VDC +/- power supply  
Screw terminal plug for connecting a DoorBird power supply (available separately) to the device as an alternative to PoE.
- 4) TO/FROM INTERCOM LAN/POE IN  
RJ45 jack for connecting a network cable (Cat.5 or higher) with the network segment that is attached to the DoorBird IP devices. Use this port to power the device with PoE as an alternative to the power supply.

### Back



- 5) DIN Rail connector  
Connection for DIN rail clip for DIN rail mounting
- 6) TO/FROM ROUTER LAN  
RJ45 jack for connecting a network cable (Cat.5 or better) with the network segment that is attached to the switch/router that provides an active internet connection.
- 7) SET setup button  
Button to set the device into different configuration modes, e.g. to reset the device to factory defaults.
- 8) Wall mounting brackets  
Holder for wall mounting. Screws and dowels included.

## VIDEOS

Need help with the installation? Be sure to watch our installation videos which can be found on <http://www.doorbird.com/support>

## INSTALLATION

All the steps below should be carried out carefully by a competent adult, taking into consideration any applicable safety regulations. Please contact us directly or seek the advice of a competent specialist.



Please ensure that all wires used for the installation are undamaged along their entire length and approved for this type of use.

### 1

#### SWITCHING OFF POWER



Switch off the power to all wires leading to the assembly location, i.e. the door chime, electric door opener, power supply unit for the video door station etc.

### 3

#### MOUNTING THE DEVICE

The device can be mounted on the wall using the wall mount bracket, screws and dowels supplied with it or on DIN-Rail using the DIN-Rail adapter supplied with it.

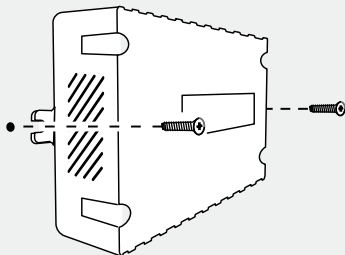
Option 1

#### WALL MOUNTING



Ensure to hit no objects (e.g. cables) when drilling the holes.

If the wall of the house is not made of wood, you should drill dowel holes 5 mm in diameter in the wall and then place the dowels provided into the boreholes. If the wall of the house is made of wood, you will usually not require any dowels. There are special dowels for assembling the device on an insulating wall, e.g. Fischer insulating dowels. Please check with your insulating material manufacturer regarding which dowels they recommend.



#### Network speed and network components

Please ensure that the upload speed of your Internet connection is at least 0.5 Mbps. The user experience is only as good as your network speed, network stability and quality of your network components, such as your Internet Router and WiFi access points or WiFi repeaters. Please also make sure that your network components are no older than two years old, have been manufactured by a well-known manufacturer, and have the latest firmware installed.

Should these requirements not be fulfilled, it may occur, for example that the performance of audio and video is poor or push notifications are delayed or do not arrive on your smartphone or tablet at all.

#### Requirements:

High-speed Internet (via landline); DSL, cable or optical fibre

Network: Ethernet with DHCP

### 2

#### DETERMINING THE ASSEMBLY LOCATION

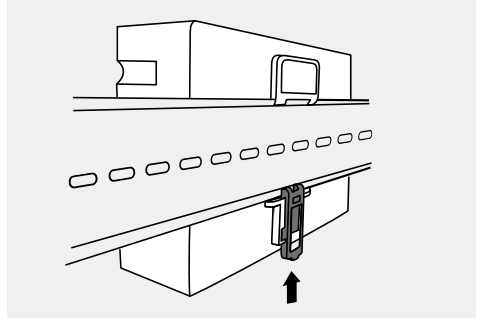
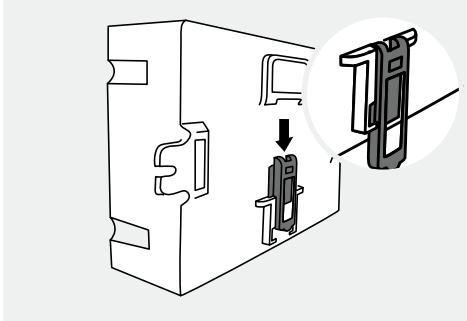


The device is IP30 certified (not water-proof). Please make sure to put the device into an appropriate housing if you want to use it outdoors.

The network cable between the device and the PoE-Switch/PoE-Injector/ Internet Router can have a maximum length of 80 meters/262 feet.

## Option 2 DIN-RAIL MOUNTING

The device can be mounted on DIN-Rail. Use the DIN rail adapter on the back of the unit.



## 4

### POWER SUPPLY

The device can be powered using PoE (Power over Ethernet) or separately available DoorBird power supplies (Wall-Plug power supply unit or DIN rail power supply). The device does not use battery power.



Disconnect all other DoorBird devices in the network from the power supply, before commissioning the DoorBird Internet Firewall A1051.



#### Option 1 POWER SUPPLY AND NETWORK CONNECTION USING POE (POWER OVER ETHERNET RECOMMENDED)

To power the device via a PoE-Switch (e.g. D-Link DGS-1008P) or PoE-Injector (e.g. DoorBird Gigabit PoE Injector A1093) in accordance with the PoE standard IEEE 802.3af Mode A, the four wires bearing the numbers 1, 2, 3 and 6 of a Cat.5 cable or better are to be used. Make sure to use a high-quality Cat.5 network cable or better and with proper shielding (Screened Foiled Twisted Pair (S/FTP or SFTP)) whereby the shield is connected to the outer metal shield of the RJ45 plug (8P8C). If you use PoE as a source of power, the four wires for PoE then simultaneously form the data link.

The device won't start if your PoE-Switch/PoE-Injector does not support the PoE Standard IEEE 802.3af Mode A (see PWR LED).



1. Disconnect the PoE-Switch or PoE-Injector from the power grid.
2. Run the network cable to the installation location of the device.

Further information on PoE can be found here:  
<http://www.doorbird.com/poe>



#### Option 2 POWER SUPPLY USING A POWER SUPPLY UNIT (AVAILABLE IN THE DOORBIRD SHOP)

To power the device using a mains adapter, 2 insulated wires are required. The network connection is then established via a network cable. Power supplies are available in our web shop:  
<https://www.doorbird.com/shop/>



Do not plug the power supply unit into the wall socket yet. Only use the power supply unit provided along with the device, or a DIN-rail power supply unit that you can obtain from us separately, since this has been specially stabilized electrically and is equipped with an integrated audio interference reduction device. Other power supply units may destroy the device or cause poor transmission quality.



#### Option 3 POWER SUPPLY USING A DIN RAIL POWER SUPPLY UNIT

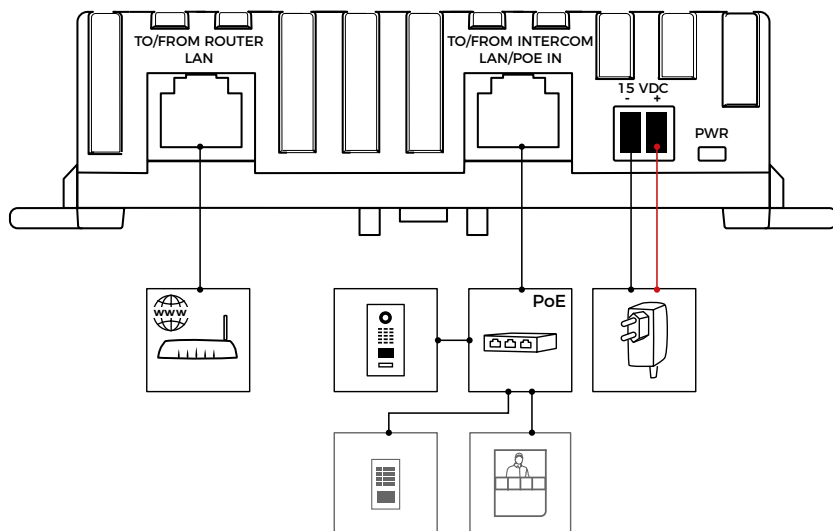
We offer DIN rail power supplies in our web shop, which can be installed by a specialist. The network connection is then made via a network cable.



It is possible to connect the cables and wires to the device conveniently and safely via the labeled screw connection terminal. You can connect all necessary cables and wires to the device now.



Please remove any cables and wires from the connection ports of the device that you do not need.



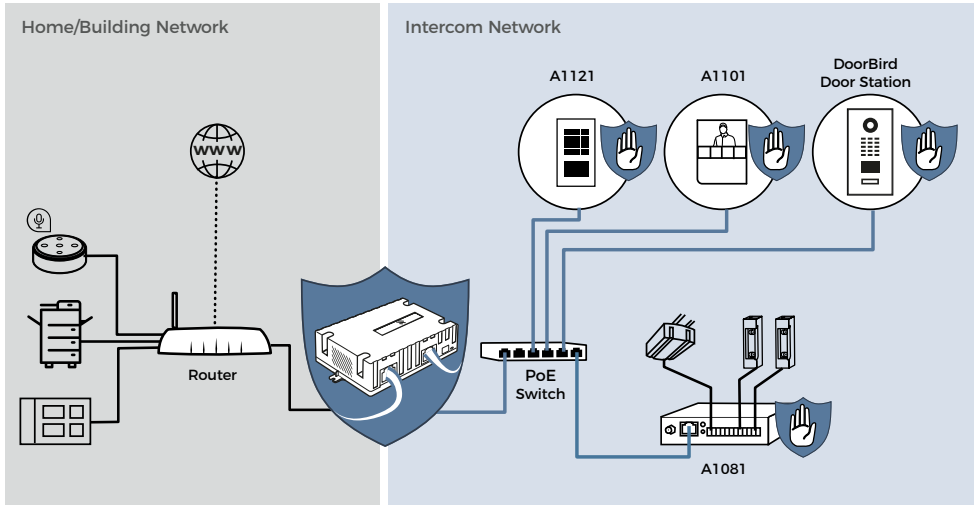
PORT	DESCRIPTION
TO/FROM ROUTER LAN	RJ45 jack for connecting a network cable (Cat.5 or higher) with the network segment that is attached to the switch/router that provides an active Internet connection.
TO/FROM INTERCOM LAN/POE IN	RJ45 jack for connecting a network cable (Cat.5 or higher) with the network segment that is attached to the DoorBird IP devices. Use this port to power the device with PoE.
15 VDC -	15 VDC Power supply input, negative pole (-). Please connect the black wire of the power supply unit (mains adapter) here, if you do not power the device using PoE. <b>NOTICE</b> Do not power the device simultaneously via the power supply from the power supply unit (mains adapter) and the power supply via PoE.
15 VDC +	15 V DC Power supply input, positive pole (+). Please connect the red wire of the power supply unit (mains adapter) here, if you do not power the device using PoE. <b>NOTICE</b> Do not power the device simultaneously via the power supply from the power supply unit (mains adapter) and the power supply via PoE.



Use DoorBird power supply unit as an alternative to PoE.  
Available in our web shop (GTIN/EAN: 4260423867314, P/N: 423867314)

## OPERATION

The A1051 Internet Firewall will block all traffic that is not vital for the operation of the DoorBird System by default. However, in some use cases it might be required to allow DoorBird components or other devices (e.g. other smart home products) on the "TO/FROM INTERCOM LAN/PoE IN" side of the device to connect to specific destinations. For that purpose, it is possible to whitelist certain IPs or hosts. Please refer to the App manual <https://manual.doorbird.com/app> for further information.



To also allow a local connection to a client that is not part of the firewall network (e.g. mobile device with DoorBird App), the „Forward connected devices“ function can be activated in the Administration section of the App.

## 6

### ACTIVATE THE DEVICE



Disconnect all other DoorBird devices in the network from the power supply, before switching on the power for the DoorBird Internet Firewall A1051.

Switch on the power leading to the assembly location. If the PWR LED does not light up, please check the power supply. When using a wall-plug power supply and not PoE, please check whether you have connected the positive pole and negative pole to the device correctly.

As soon as the A1051 Internet Firewall is fully operational, the DoorBird components that are connected to the "TO/FROM INTERCOM LAN/PoE IN" RJ45 jack can be powered on. If they have been already powered up before the device was fully operational, please reboot them.





Do not power the device simultaneously via the power supply from the power supply unit (mains adapter) and the power supply via PoE.

### PWR LED

You can see if the device receives power by checking the PWR LED. The PWR LED lights up about 30 to 60 seconds after the device get connected to power and stays on for 5 minutes. For the connection status of the device, please check the status display on the top. If the PWR LED does not light up, please check the power supply. In case of PoE, make sure to use a compatible PoE device (<https://www.doorbird.com/poe>). When using a wall-plug power supply and not PoE, please check whether you have connected the positive pole and negative pole to the device correctly.

## STATUS DISPLAY

You can see if the device receives power by checking the Status LED on the side of the device.

-  TO/FROM ROUTER LAN connected  
Internet connection available
-  TO/FROM ROUTER LAN connected  
No Internet connection available
-  TO/FROM ROUTER LAN not connected  
E.g.: no network cable connected

## TECHNICAL SPECIFICATIONS

Dimensions	104 x 75 mm x 34 mm (H x W x D) 4.10 x 2.96 x 1.32 in (H x W x D)		
Power Supply	15 V DC or Power over Ethernet (PoE IEEE 802.3 af or higher) PoE Switch, PoE Injector or power supply unit not included		
Power consumption	1 W		
Operating conditions	0 to +55°C / 32 to 131°F Relative Humidity 0 % to 85 % (non condensing)		
Protection class	IP 30		
Mounting	<ul style="list-style-type: none"> <li>• Top-hat rail / DIN rail</li> <li>• Wall mounting</li> </ul>		
Approvals	CE, FCC, IC, RoHS, WEEE, UKCA		
Connectors & Interface	2x RJ45 socket (10/100 Base-T) • TO/FROM ROUTER LAN • TO/FROM INTERCOM LAN/PoE IN  1x Screw terminal • 15 V DC Input (-/+)  LCD Status Display • Backlight (blue) • Network status display  PWR LED		
Display			
Features	Network filter: Actively filters network traffic and blocks unauthorized access  DHCP server: Integrated DHCP server (10.223.x.x), up to 1,000 devices  IP whitelist: Approval of IP addresses or domains, such as for control functions of smart home systems	System requirements	Mobile end device: latest iOS on iPhone/iPad, latest Android on smartphone/tablet Internet: High-speed landline broadband Internet connection, DSL, cable or fiber, no socks or proxy server  Network: Ethernet Network, with DHCP  Compatible with all DoorBird IP Video Door Stations and DoorBird Peripheral devices
		Scope of delivery	1 x A1051 Internet Firewall 1 x Installation manual 1 x Quickstart guide with Digital Passport 1 x Small parts
		Weight	155 g
		EAN	4260423872103
		Recommended accessories	Power supply unit (GTIN/EAN: 4260423867314, P/N: 423867314)

## LEGAL NOTES

### General remarks

1. DoorBird is a registered trademark of Bird Home Automation GmbH.
2. Apple, the Apple logo, Mac, Mac OS, Macintosh, iPad, Multi-Touch, iOS, iPhone and iPod touch are trademarks of Apple Inc.
3. Google, Android and Google Play are trademarks of Google, Inc.
4. The Bluetooth® word mark and logos are registered trademarks of Bluetooth SIG, Inc.
5. All other company and product names may be trademarks of the respective companies with which they are associated.
6. We reserve the right to make changes to our products in the interests of technical advancement. The products shown may also look different from the products supplied based on ongoing enhancement.
7. Reproducing or using texts, illustrations and photos from this instruction manual in any media - even if only in the form of excerpts - shall only be permitted with our express written consent.
8. The design of this manual is subject to copyright protection. We do not accept any liability for any errors or any erroneous content or printing errors (even in the case of technical specifications or within graphics and technical sketches).
9. Our products are in compliance with all technical guidelines, electrical and telecommunications regulations applicable in Germany, the EU and the USA.
10. Our products and also the components contained therein (ICs, software, etc.) may only be used for civilian non-military purposes.

### Data privacy and data security

1. For maximum security, the device uses the same encryption technologies as are used in online banking. For your security, no port forwarding or DynDNS is used either.
2. The data centre location for remote access over the Internet by means of an App is obligatory in the EU if the determined Internet IP-Address location of the device is within the EU. The data centre is operated in line with the most stringent security standards.
3. Video, audio and any other surveillance methods can be regulated by laws that vary from country to country. Check the laws in your local region before installing and using this device for surveillance purposes.

If the device is a door-, indoor station or camera:

- In many countries video and voice signal may only be transmitted once a visitor has rung the bell (data privacy, configurable in the App).
- Please carry out the mounting in such a way that the detection range of the camera limits the device exclusively to the immediate entrance area.
- The device may come with a visitor history and motion sensor. You can activate/deactivate this function if required.

If necessary, indicate the presence of the device in a suitable place and in a suitable form.

Please observe any relevant country-specific statutory regulations concerning the use of surveillance components and surveillance cameras applicable at the installation site.

Check with the property owner and your house community if you are allowed to install and use this product. Bird Home Automation GmbH cannot be held responsible for any miss-use or miss-configuration of this product, including the unauthorized opening of a door.

Bird Home Automation cannot be held responsible for damages caused by improper existing installations or improper installation.

Software and operating system's updates (so-called "firmware updates") are generally automatically installed on the products of Bird Home Automation GmbH via Internet, if technically possible. Automatic firmware updates keep the products' software up to date so that they always work reliably, safely and efficiently. Through further development, features can be added, extended or slightly changed. Major changes or limitations to existing features will generally occur if Bird Home Automation GmbH deems it necessary (e.g. for data protection, data security or stability reasons, or to keep them up to date). When a firmware update is available, Bird Home Automation GmbH's servers generally automatically distribute it to all compatible products connected to the Internet or Bird Home Automation GmbH's servers. This process is gradual and can take

several weeks. As soon as a product receives a firmware update, the system will be installed and will restart by itself. Installed firmware updates cannot be undone. Since the products and software of Bird Home Automation GmbH are not explicitly customer-specific products, a customer cannot deny an automatic update if the product is connected to the Internet or to the Bird Home Automation GmbH's server.

### Publisher

Bird Home Automation GmbH  
Umlandstraße 165  
10719 Berlin  
Germany

Web: [www.doorbird.com](http://www.doorbird.com)  
Email: [hello@doorbird.com](mailto:hello@doorbird.com)

It is possible that these manual still contains typographical errors or printing errors. The information in this manual will be checked regularly and corrections will be made in the next version. We accept no liability for errors of a technical or printing nature and their consequences.

## INSTALLATIONSANLEITUNG

Lesen Sie diese Anleitung sorgfältig, bevor Sie die Komponenten in Betrieb nehmen. Bewahren Sie die Anleitung zum späteren Nachschlagen auf! Wenn Sie das Gerät anderen Personen zur Nutzung überlassen, übergeben Sie auch diese Bedienungsanleitung.

Die stets aktuelle Version der Installationsanleitung finden Sie unter [www.doorbird.com/de/support](http://www.doorbird.com/de/support). Zur Vereinfachung der Begriffe verwenden wir „Gerät“ für das Produkt „Internet Firewall A1051“ sowie „mobiles Endgerät“ für ein Smartphone/Tablet.

### Haftung

Die Erstellung dieses Dokuments wurde sorgfältig vorbereitet. Bitte informieren Sie Bird Home Automation GmbH über etwaige Ungenauigkeiten oder Unterlassungen. Bird Home Automation GmbH kann nicht für technische oder typografische Fehler verantwortlich gemacht werden und behält sich das Recht vor, Änderungen an dem Produkt und den Handbüchern ohne vorherige Ankündigung vorzunehmen. Bird Home Automation GmbH übernimmt keinerlei Garantie in Bezug auf das in diesem Dokument enthaltene Material, einschließlich, aber nicht beschränkt auf die implizierten Garantien der Marktängigkeit und Eignung für einen bestimmten Zweck. Bird Home Automation GmbH haftet nicht für Neben- oder Folgeschäden im Zusammenhang mit der Bereitstellung, Durchführung oder Verwendung dieses Materials. Das Gerät darf nur für den vorgesehenen Zweck verwendet werden.

### Gerätemodifikationen

Dieses Gerät muss in Übereinstimmung mit den Anweisungen in der Installationsanleitung installiert und verwendet werden. Durch unbefugte Gerätemodifikationen oder Änderungen erlöschen alle anwendbaren Zertifizierungen und Zulassungen.

### Verwendete Symbole



**Achtung:** Weist auf eine gefährliche Situation hin, die, falls nicht verhindert, zum Tod oder schweren Verletzungen führt.



**Warnung:** Weist auf eine gefährliche Situation hin, welche, falls nicht verhindert, zum Tod oder schweren Verletzungen führen kann.



**Vorsicht:** Weist auf eine gefährliche Situation hin, welche, falls nicht verhindert, zu geringfügiger oder mäßiger Verletzung führen kann.



**Bitte beachten:** Weist auf eine gefährliche Situation hin, welche, falls nicht verhindert, zu Sachschäden führen kann.



**Wichtig:** Weist auf wichtige Informationen hin, die den richtigen Betrieb des Produkts gewährleisten.



**Hinweis:** Weist auf nützliche Informationen hin, die die optimale Verwendung des Geräts unterstützen.

### Gefahrenhinweise



### WARNUNG

- Einbau, Montage und Servicearbeiten elektrischer Geräte dürfen ausschließlich durch eine Elektrofachkraft erfolgen. Bei Nichtbeachten besteht die Gefahr schwerer gesundheitlicher Schäden oder Lebensgefahr durch elektrische Stromschläge.
- Geräte mit 110-240 V Anschluss: Das Gerät darf nur an eine leicht zugängliche Netz-Steckdose angeschlossen werden. Bei Gefahr ist der Netzstecker zu ziehen.
- Benutzen Sie für die Stromversorgung des Gerätes ausschließlich das mitgelieferte Originalnetzteil, separat erhältliche Hutschienennetzeile oder einen in dieser Anleitung empfohlenen PoE-Switch/PoE-Injektor.
- Durch elektrostatische Aufladung kann bei direktem Kontakt mit der Leiterplatte das Gerät zerstört werden. Vermeiden Sie daher ein direktes Berühren der Leiterplatte zu jeder Zeit.
- Norm EN 60065 bzw. EN 60950 bzw. EN 62368 beachten.
- Verwenden Sie das Gerät nicht, wenn es von außen erkennbare Schäden z. B. am Gehäuse, an Bedienelementen oder an den Anschlussbuchsen bzw. eine Funktionsstörung aufweist. Im Zweifelsfall lassen Sie das Gerät von einer autorisierten Fachkraft prüfen.
- Öffnen Sie das Gerät nicht. In solchen Fällen erlischt jeder Gewährleistungsanspruch! Für Folgeschäden übernehmen wir keine Haftung! Das Gerät enthält keine durch den Anwender zu wartenden Teile. Im Fehlerfall lassen Sie das Gerät von einer autorisierten Fachkraft prüfen.
- Aus Sicherheits-, Zulassungs- und Lizenzgründen (CE/FCC/IC etc.) ist das eigenmächtige Umbauen und/oder Verändern des Gerätes nicht gestattet.
- Das Gerät ist kein Spielzeug! Erlauben Sie Säuglingen und Kindern nicht damit zu spielen.
- Um Erstickungsgefahr zu vermeiden, halten Sie das Verpackungsmaterial von Säuglingen und Kindern fern. Plastikfolien/-tüten, Styroporteile etc. sind kein Spielzeug und können gefährlich für Kinder sein. Entsorgen Sie das Verpackungsmaterial sofort nach der Entnahme des Produkts. Verwenden Sie das Verpackungsmaterial nicht wieder.
- Verlegen Sie Kabel stets so, dass diese keine Gefährdungen für Menschen und Haustiere darstellen.



## WARNUNG

- An Teilen im Gerät liegt Spannung an. Berühren Sie keine Teile, die nicht mit der Installation, der Verdrahtung oder dem Anschluss verbunden sind. Elektrische Stromschläge können die Folge sein.
- Halten Sie die Geräte, die nicht als wetterfest gekennzeichnet sind, von Wasser oder anderen Flüssigkeiten fern.
- Führen Sie keine Installation durch und stellen Sie keine Verbindungen her, während die Stromversorgung eingeschaltet ist. Beschädigungen am Gerät oder elektrische Stromschläge können die Folge sein.
- Bevor Sie die Stromversorgung einschalten, stellen Sie sicher, dass die Drähte nicht gekreuzt oder kurzgeschlossen sind. Feuer oder elektrische Stromschläge können die Folge sein.
- Hochspannung kann intern vorhanden sein. Öffnen Sie das Gerät nicht. Elektrische Stromschläge können die Folge sein.
- Das Gerät ist nicht explosionsgeschützt. Nicht in der Nähe von Gasen oder brennbaren Materialien installieren oder verwenden. Feuer oder Explosion können entstehen.
- Installieren Sie nicht zwei Stromversorgungen parallel zu einem einzigen Eingang. Feuer oder Beschädigung des Gerätes können entstehen. Achten Sie darauf, nur ein einziges Netzteil an das Gerät anzuschließen.
- Schließen Sie keinen Anschluss am Gerät an eine Netzstromleitung an. Feuer oder elektrische Stromschläge können die Folge sein.
- Stellen Sie sicher, dass das Netzkabel nicht beschädigt oder gequetscht ist. Wenn das Netzkabel gebrochen ist, kann es zu einem Brand oder elektrischen Stromschlag kommen.
- Nichts mit nassen Händen anstecken oder abziehen. Elektrische Stromschläge können die Folge sein.
- Führen Sie kein Metall oder brennbares Material in das Gerät. Feuer, elektrische Stromschläge oder Gerätestörungen können die Folge sein.
- Bestehende Verdrahtungen wie Türgongverdrahtung usw. können Hochspannungs-Wechselstrom enthalten. Schäden am Gerät oder elektrische Stromschläge können auftreten. Die Verdrahtung und Installation muss von einem qualifizierten Elektriker durchgeführt werden.
- Gerätemontage an Wand oder Decke: Vermeiden Sie Installationsorte, an denen das Gerät Erschütterungen oder Stößen ausgesetzt ist.
- Bei Geräten mit Erdungsklemmen muss eine Erdung angeschlossen werden. Feuer oder Gerätestörungen können die Folge sein.
- Bei Geräten mit Kunststoffglas oder Echtglas, keinen hohen Druck auf das Glas ausüben. Bei Bruch kann es zu Verletzungen kommen.
- Bei Geräten mit LCD, wenn LCD beschädigt ist, nicht mit dem Flüssigkristall in Kontakt kommen. Verletzungen können die Folge sein. Wenn nötig, spülen Sie den Mund aus, reinigen Sie Ihre Augen oder Haut mit klarem Wasser für mindestens 15 Minuten und wenden Sie sich an Ihren Arzt.
- Bringen Sie nichts auf dem Gerät an und verdecken Sie das Gerät nicht mit einem Tuch, Silikon, Klebstoff, Farbe, separater Abdeckung etc. Es können Feuer- oder Gerätestörungen auftreten.
- Installieren Sie das Gerät nicht an einer der folgenden Orte. Feuer, Stromschlag oder Gerätestörungen können die Folge sein.
  - Orte unter direktem Sonnenlicht oder Orte in der Nähe von Heizgeräten, die in der Temperatur variieren.
  - Orte mit Staub, Öl, Chemikalien, Schwefelwasserstoff (heiße Quellen).
  - Orte, die extremer Feuchtigkeit und Luftfeuchtigkeit ausgesetzt sind, wie Bäder, Keller, Gewächshäuser, etc.
  - Orte, an denen die Temperatur extrem niedrig ist, wie z. B. in einem gekühlten Bereich oder vor einer Klimaanlage.
  - Orte, die Dampf oder Rauch ausgesetzt sind (z.B. in der Nähe von Heiz- oder Kochflächen).
  - Orte, an denen Geräusch erzeugende Geräte wie Dimmschalter oder Wechselrichter-Elektrogeräte in unmittelbarer Nähe sind.
  - Orte, die häufigen Vibrationen oder Stößen ausgesetzt sind.
- Bei Geräten mit Gegensprechfunktion ist darauf zu achten, dass ein Anruftest durchgeführt wird, bei dem beide Gegensprechgeräte auf geringer Lautstärke eingestellt sind. Ein plötzlicher Anruf etc. kann ankommen und das Gehör schädigen.
- Wenn das Gerät nicht ordnungsgemäß funktioniert, ziehen Sie den Netzstecker aus der Steckdose.
- Alle Geräte, die nicht als wetterfest gekennzeichnet sind, sind nur für den Innenbereich konzipiert und nicht im Freien zu benutzen.
- Geräte, die als wetterfest gekennzeichnet sind, nicht mit Hochdruckwasser besprühen. Gerätestörungen können die Folge sein.
- Bei Sach- oder Personenschäden, die durch unsachgemäße Handhabung oder Nichtbeachten der Gefahrenhinweise verursacht werden, übernehmen wir keine Haftung. In solchen Fällen erlischt jeder Gewährleistungsanspruch! Für Folgeschäden übernehmen wir keine Haftung.

## Sicherheitsanweisungen



- Die Verwendung des Geräts muss unter Beachtung der örtlich geltenden rechtlichen Bestimmungen erfolgen.
- Lagern Sie das Gerät in einer trockenen und belüfteten Umgebung.
- Achten Sie darauf, dass das Gerät weder Stößen noch starkem Druck ausgesetzt ist.
- Installieren Sie das Gerät nicht an instabilen Halterungen, Oberflächen oder Wänden. Stellen Sie sicher, dass das Material stabil genug ist, um das Gewicht des Geräts zu tragen.
- Verwenden Sie bei der Installation des Geräts ausschließlich passende Werkzeuge. Ein zu großer Kraftaufwand mit Werkzeugen kann das Gerät beschädigen.
- Verwenden Sie keine chemischen, ätzenden oder aerosolhaltigen Reinigungsmittel.
- Verwenden Sie zum Reinigen ein sauberes, trockenes Tuch.
- Verwenden Sie nur Zubehör, das den technischen Daten des Geräts entspricht. Dieses ist von Bird Home Automation GmbH erhältlich.
- Verwenden Sie ausschließlich Ersatzteile die von Bird Home Automation GmbH bereitgestellt oder empfohlen werden.
- Versuchen Sie nicht, das Gerät selbstständig zu reparieren. Wenden Sie sich bezüglich Reparatur und Wartung an Bird Home Automation GmbH.
- Halten Sie das Gerät mehr als 1 m (3,3") entfernt von Mikrowelle, Radio, TV, WLAN Router und anderen drahtlosen Geräten.
- Bei Geräten mit Gegensprechfunktion oder eingebautem Lautsprecher oder eingebautem Mikrofon oder Signalübertragungsfunktion, installieren Sie die Drähte mehr als 30 cm (12") entfernt von 100-240 V Wechselstromverdrahtung. Ansonsten können Wechselstrom-induzierte Geräusche und/oder Geräte-Störungen auftreten.
- Installieren Sie das Gerät in einem Bereich, der für zukünftige Inspektionen, Reparaturen und Wartungen zugänglich ist.
- Wenn das Gerät in der Nähe eines Mobiltelefons verwendet wird, kann das Gerät gestört werden.
- Das Gerät kann beschädigt werden, wenn es fallen gelassen wird. Mit Vorsicht behandeln.
- Das Gerät wird während eines Stromausfalls außer Betrieb gesetzt.
- Bei Geräten mit Gegensprechfunktion oder eingebautem Lautsprecher oder eingebautem Mikrofon kann das Gerät in Bereichen, in denen Antennen von Mobilfunksendern, Radio- oder TV-Sendern in der Nähe sind, beeinträchtigt werden.

- Bei Geräten mit LCD-Bildschirm muss im Voraus darauf hingewiesen werden, dass bei einem LCD-Panel, obwohl es mit sehr hohen Präzisionstechniken hergestellt wird, unvermeidlich ein sehr kleiner Teil seiner Bildelemente nicht immer beleuchtet oder gar nicht beleuchtet wird. Dies gilt nicht als Gerätefehler.
- Bei Geräten mit Gegensprechfunktion können Umgebungsgeräusche um das Gerät herum eine reibungslose Kommunikation behindern. Dies ist keine Fehlfunktion.
- Bei Geräten mit Benutzername/Passwort ist der Anwender für den Zugriff mittels Benutzername/Passwort auf das Gerät verantwortlich. Vergewissern Sie sich ein Passwort zu verwenden, das von einem Dritten nicht leicht erraten werden kann. Wir empfehlen Ihnen, das Passwort regelmäßig zu ändern.
- Wir haften unter keinen Umständen für Schäden, die aufgrund von Fehlern in der Stromversorgung, Netzwerkggeräten oder Endgeräten auftreten; Ausfälle aufgrund von Internetanbietern und Mobilfunkanbietern; Ausfälle aufgrund von getrennten oder gestörten Leitungen und andere Übertragungsverluste, die es unmöglich machen, unseren Dienst zu erbringen, sowie allen anderen Ursachen die außerhalb unserer Verantwortung liegen; Oder, wenn während der Übertragung ein Fehler oder fehlende Daten auftreten.



### Informationen zur Entsorgung elektrischer und elektronischer Geräte (für Privathaushalte)

Dieses Symbol auf Produkten oder begleitenden Dokumenten weist darauf hin, dass elektrische oder elektronische Geräte nicht mit dem allgemeinen Hausmüll entsorgt werden sollten. Bitte bringen Sie solche Produkte zu den vorgesehenen Sammelstellen, wo sie kostenfrei entgegengenommen und der geeigneten Abfall- und Wiederverwertung zugeführt werden. Alternativ dazu können Sie in einigen Ländern die Produkte beim Kauf eines äquivalenten neuen Produktes auch bei einem örtlichen Einzelhändler zurückgeben. Die ordnungsgemäße Entsorgung dieses Produkts trägt dazu bei, wertvolle Rohstoffe zu sparen und möglichen negativen Auswirkungen auf die Gesundheit und die Umwelt vorzubeugen, die durch eine ungeeignete Abfallentsorgung entstehen können. Bei den örtlichen Behörden erhalten Sie genauere Informationen zu Ihrer nächsten zuständigen Sammelstelle. Abhängig von der nationalen Gesetzgebung können für die unvorschriftsmäßige Entsorgung solcher Abfälle Strafen verhängt werden.

## Informationen zur Entsorgung in Ländern außerhalb der Europäischen Union

Dieses Symbol gilt nur in der Europäischen Union. Wenn Sie dieses Produkt wegwerfen möchten, kontaktieren Sie bitte die zuständigen Behörden oder Händler in Ihrem Land, um sich über die vorschriftsmäßige Entsorgung zu informieren.

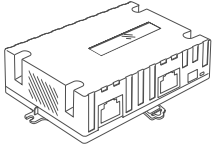
## Transport

**NOTICE** Bei Bedarf transportieren Sie das Gerät in der Originalverpackung oder einer entsprechenden Verpackung, so dass Schäden vermieden werden.

## Gewährleistung

Informationen zur Gewährleistung des Geräts finden Sie unter [www.doorbird.com/de/warranty](http://www.doorbird.com/de/warranty)

## KOMPONENTEN\*



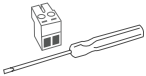
1x A1051 Internet Firewall



1x Installationsanleitung



1x Quickstart Guide mit Digital Passport



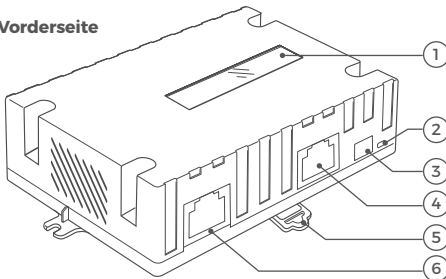
1x Schraubanschlussklemmenstecker und Schraubendreher



2x Phillips-Senkkopfschrauben und Dübel

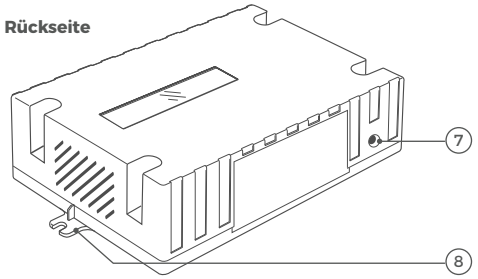
## GERÄT

### Vorderseite



- 1) LCD Status Display  
Blau beleuchtetes LCD-Display für die Statusanzeige und schnelle Fehleranalyse
- 2) PWR-LED  
Strom- und Diagnose-LED zur Anzeige des aktuellen Status des Geräts.
- 3) 15VDC +/- Spannungsversorgung  
Schraubanschlussklemmenstecker zum Anschluss eines DoorBird Steckernetzteils (separat erhältlich) als Alternative zu PoE.
- 4) TO/FROM INTERCOM LAN/POE IN  
RJ45-Buchse für den Anschluss eines Netzkabels (Cat.5 oder höher) an das Netzwerksegment, das mit den DoorBird IP-Geräten verbunden ist. Verwenden Sie diesen Anschluss zur Stromversorgung des Geräts mit PoE als Alternative zum Steckernetzteil.

### Rückseite



- 5) Hutschienenadapter-Anschluss  
Hutschienenklemme für Hutschienenmontage
- 6) TO/FROM ROUTER LAN  
RJ45-Buchse zum Anschluss eines Netzkabels (Cat.5 oder besser) mit dem Netzwerksegment, das mit dem Switch/Router verbunden ist, das eine aktive Internetverbindung besitzt.
- 7) SET Setup-Taste  
Taste für verschiedene Konfigurationsmodi, z.B. um das Gerät auf die Werkseinstellungen zurückzusetzen.
- 8) Halterung für die Wandmontage  
Halterung für die Wandmontage. Schrauben und Dübel im Lieferumfang enthalten.



## VIDEOS

Benötigen Sie Hilfe bei der Installation? Schauen Sie sich unsere Installationsvideos an, die Sie unter <http://www.doorbird.com/support> finden

## INSTALLATION

Alle folgenden Schritte sollten von einem fachkundigen Erwachsenen sorgsam und unter Berücksichtigung sämtlicher geltender Schutzvorschriften durchgeführt werden. Sollten Sie Fragen haben, wenden Sie sich bitte direkt an uns oder eine kompetente Fachkraft.



Achten Sie darauf, dass alle Drähte, die Sie für die Installation verwenden, über die gesamte Länge unbeschädigt und für die Verwendungsart zugelassen sind.

### 1

#### STROM ABSCHALTEN



Schalten Sie den Strom sämtlicher zum Montageort führenden Leitungen ab, d.h. z.B. den Strom für die Türstation, den Türgong, elektrischen Türöffner, PoE-Switch/PoE-Injektor etc.

### 3

#### MONTAGE DES GERÄTS

Das Gerät kann mit der mitgelieferten Wandhalterung, den Schrauben und Dübeln an der Wand befestigt werden oder auf einer Hutschiene mit der Hutschiene-Klemme montiert werden.

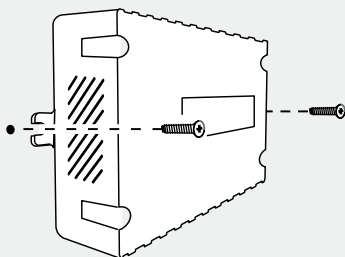
Option 1

#### WANDMONTAGE



Achten Sie beim Bohren der Löcher darauf, keine Gegenstände (z. B. Kabel) zu treffen.

Wenn die Hauswand nicht aus Holz ist, bohren Sie Dübellöcher mit einem Durchmesser von 5 mm in die Wand und setzen Sie die mitgelieferten Dübel in die Bohrlöcher ein. Wenn die Hauswand aus Holz ist, benötigen Sie in der Regel keine Dübel. Für die Montage an einer Dämmstoffwand gibt es spezielle Dübel, z.B. Fischer Dämmstoffdübel. Bitte erkundigen Sie sich bei Ihrem Dämmstoffhersteller, welche Dübel er empfiehlt.



#### Netzwerkgeschwindigkeit und Netzwerkkomponenten

Stellen Sie sicher, dass Ihre Internetverbindung über mindestens 0,5 Mbit/s Uploadgeschwindigkeit verfügt. Sie können über die DoorBird App jederzeit auch einen Geschwindigkeitstest durchführen. Das Nutzererlebnis ist nur so gut wie die Netzwerkgeschwindigkeit, Netzwerkstabilität und Qualität Ihrer Netzwerkkomponenten, wie z.B. Ihr Internet-Router und WLAN-Access-Points oder WLAN-Repeater. Stellen Sie sicher, dass Ihre Netzwerkkomponenten nicht älter als 2 Jahre sind, von einem namhaften Hersteller gefertigt wurden und über die neuste Firmware verfügen.

Sind diese Voraussetzungen nicht erfüllt, kann es z.B. dazu kommen, dass Audio- und Videoverbindungen schlecht sind oder Push-Nachrichten verzögert oder gar nicht auf Ihrem Smartphone oder Tablet ankommen.

#### Anforderungen:

High Speed Internet (Festnetz): DSL, Kabel oder Glasfaser

Netzwerk: Ethernet Netzwerk, mit DHCP

### 2

#### BESTIMMUNG DES MONTAGEORTES



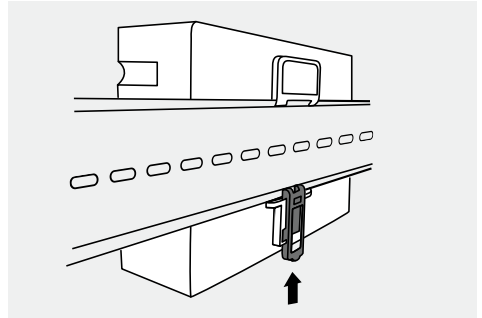
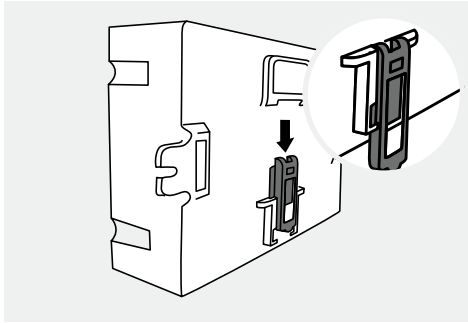
Das Gerät ist IP30-zertifiziert (nicht wasserdicht). Bitte stellen Sie sicher, dass Sie das Gerät in ein geeignetes Gehäuse stellen, wenn Sie es im Freien verwenden möchten.

Das Netzwerkkabel zwischen dem Gerät und dem PoE-Switch/PoE-Injektor/Internet-Router darf eine maximale Länge von 80 Metern/262 Fuß haben.

## Option 2

### DIN-HUTSCHIENENMONTAGE

Das Gerät kann auf einer Hutschiene montiert werden. Verwenden Sie den Hutschiennenklemme auf der Rückseite des Geräts.



## 4

### STROMVERSORGUNG

Das Gerät kann über PoE (Power over Ethernet) oder separat erhältliche DoorBird-Netzteile (Steckernetzteil oder Hutschiennenetzteil) mit Strom versorgt werden. Das Gerät kann nicht über Batterien mit Strom versorgt werden.



Trennen Sie alle anderen DoorBird-Geräte im Netzwerk von der Stromversorgung, bevor Sie die DoorBird Internet Firewall A1051 in Betrieb nehmen.

#### Option 1

### STROMVERSORGUNG UND NETZWERKANSCHLUSS ÜBER POE (POWER OVER ETHERNET, EMPFOHLEN)



Um das Gerät über einen PoE-Switch (z.B. D-Link DGS-1008P) oder PoE-Injektor (z.B. DoorBird Gigabit PoE Injector A1093) nach dem PoE-Standard IEEE 802.3af Mode A mit Strom zu versorgen, sind die vier Adern mit den Nummern 1, 2, 3 und 6 eines Cat.5-Kabels oder besser zu verwenden. Achten Sie darauf, dass Sie ein hochwertiges Cat.5-Netzwerkkabel oder besser und mit entsprechender Abschirmung (Screened Foiled Twisted Pair (S/FTP oder SFTP)) verwenden, wobei die Abschirmung mit der äußeren Metallabschirmung des RJ45-Steckers (8P8C) verbunden ist. Wenn Sie PoE als Stromversorgung nutzen, sind vier Drähte für PoE dann gleichzeitig die Datenleitung.

Das Gerät startet nicht, wenn Ihr PoE-Switch/PoE-Injektor den PoE-Standard IEEE 802.3af Mode A nicht unterstützt (siehe PWR-LED).



1. Trennen Sie den vorgesehenen PoE-Switch oder PoE-Injektor vom Stromnetz.
2. Führen Sie das Netzwerkkabel zum Montageort des Geräts.

Weitere Informationen zu PoE finden Sie hier:

18 <http://www.doorbird.com/poe>

#### Option 2

### STROMVERSORGUNG PER STECKERNEZTEIL (ERHÄLTICH IM DOORBIRD SHOP)



Zur Stromversorgung des Geräts per Steckernetzteil werden zwei isolierte Drähte benötigt. Die Netzwerkverbindung wird dann über ein Netzwerkkabel hergestellt. Netzteile sind in unserem Webshop erhältlich: <https://www.doorbird.com/shop/>



Stecken Sie das Steckernetzteil noch nicht in die Steckdose. Verwenden Sie ausschließlich das mitgelieferte Steckernetzteil oder das von uns separat erhältliche Hutschiennenetzteil, da diese speziell stabilisiert und mit einer integrierten Audio-Störungsunterdrückung ausgestattet sind. Andere Netzteile können das Gerät zerstören oder eine schlechte Übertragungsqualität verursachen.



#### Option 3

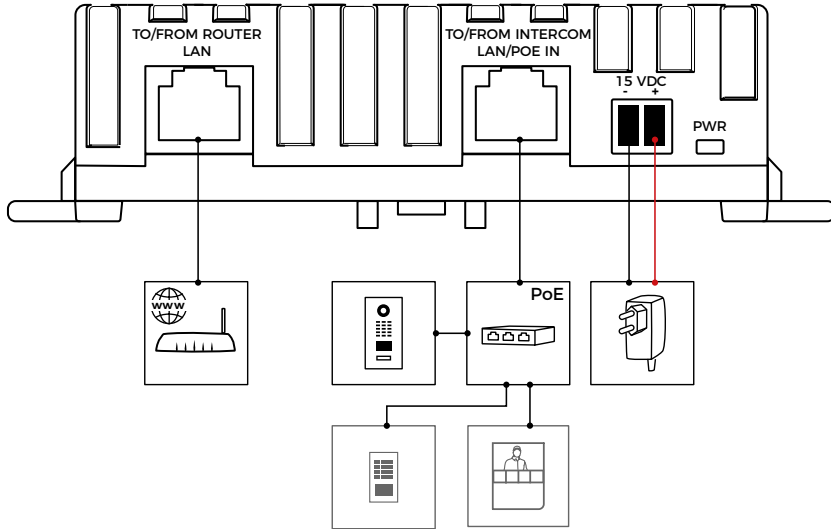
### STROMVERSORGUNG PER HUTSCHIENENNETZTEIL

Alternativ zum Steckernetzteil bieten wir in unserem Shop Hutschiennenetzteile an, welche durch eine Fachkraft installiert werden können. Die Netzwerkanbindung erfolgt per Netzwerkkabel oder WLAN.

Das Gerät verfügt über beschriftete Anschlussbuchsen, um ein sicheres und komfortables Anschließen der Kabel und Drähte zu ermöglichen. Sie können jetzt alle erforderlichen Kabel und Drähte mit dem Gerät verbinden.



Entfernen Sie bitte die Kabel und Drähte von den Anschlüssen des Geräts, die Sie nicht benötigen.



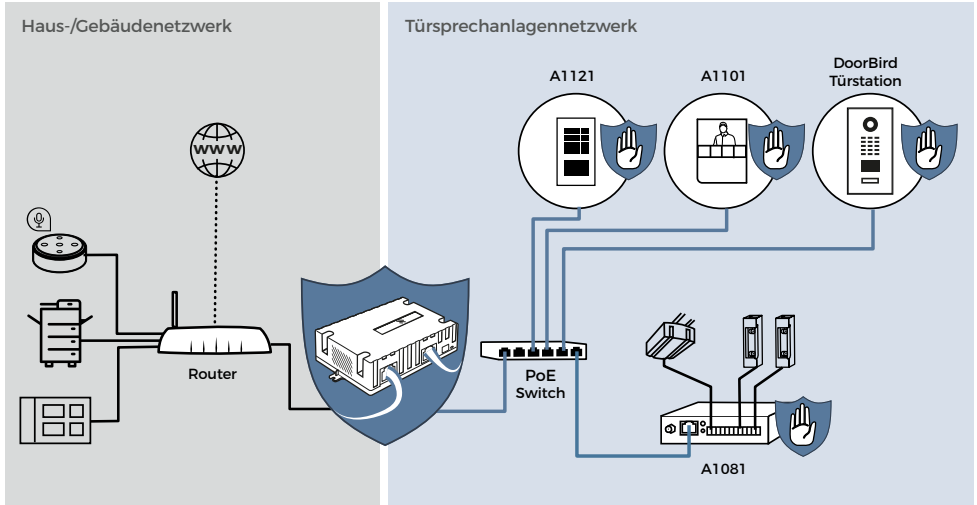
ANSCHLUSS	BESCHREIBUNG
TO/FROM ROUTER LAN	RJ45-Buchse zum Anschluss eines Netzkabels (Cat.5 oder höher) an das Netzwerksegment, das an den Switch/Router angeschlossen ist, der eine aktive Internetverbindung bereitstellt.
TO/FROM INTERCOM LAN/ POE IN	RJ45-Buchse zum Anschluss eines Netzkabels (Cat.5 oder höher) an das Netzwerksegment, das an die DoorBird IP-Geräte angeschlossen ist. Verwenden Sie diesen Anschluss, um das Gerät über PoE mit Strom zu versorgen.
15 VDC -	Eingang 15 V DC Spannungsversorgung, Minuspol (-). Bitte verbinden Sie den schwarzen Draht des Steckernetzteils mit diesem Anschluss, wenn Sie das Gerät nicht mit PoE versorgen. <b>NOTICE</b> Kombinieren Sie die Stromversorgung per Steckernetzteil nicht mit der Stromversorgung per PoE.
15 VDC +	Eingang 15 V DC Spannungsversorgung, Pluspol (+). Bitte verbinden Sie den roten Draht des Steckernetzteils mit diesem Anschluss, wenn Sie das Gerät nicht mit PoE versorgen. <b>NOTICE</b> Kombinieren Sie die Stromversorgung per Steckernetzteil nicht mit der Stromversorgung per PoE.



Verwenden Sie das DoorBird Steckernetzteil als Alternative zu PoE. Erhältlich in unserem Webshop (GTIN/EAN: 4260423867314, P/N: 423867314)

## EINSATZ

Die A1051 Internet-Firewall blockiert standardmäßig jeglichen Datenverkehr, der nicht für den Betrieb des DoorBird-Systems notwendig wird. In einigen Anwendungsfällen kann es jedoch erforderlich sein, DoorBird-Komponenten oder anderen Geräten (z.B. anderen Smart-Home-Produkten) auf der „TO/FROM INTERCOM LAN/PoE IN“-Seite des Geräts zu erlauben, sich mit bestimmten Zielen zu verbinden. Zu diesem Zweck ist es möglich, bestimmte IPs oder Hosts auf eine Whitelist zu setzen. Weitere Informationen finden Sie im App-Handbuch <https://manual.doorbird.com/app>.



Um auch eine lokale Verbindung zu einem Client zu ermöglichen, der nicht Teil des Firewall-Netzwerks ist (z.B. ein mobiles Gerät mit der DoorBird App), kann die Funktion „Verbundene Geräte weiterleiten“ im Administrationsbereich der App aktiviert werden.

## 6

### INBETRIEBNAHME



Trennen Sie alle anderen DoorBird-Geräte im Netzwerk von der Stromversorgung, bevor Sie die Stromversorgung der DoorBird Internet Firewall A1051 einschalten.

Schalten Sie die Stromzufuhr zum Montageort ein. Wenn die PWR-LED nicht leuchtet, überprüfen Sie bitte die Spannungsversorgung. Wenn Sie ein Steckernetzteil und nicht PoE verwenden, überprüfen Sie bitte, ob Sie den Pluspol und den Minuspol richtig an das Gerät angeschlossen haben.

Sobald die A1051 Internet Firewall voll funktionsfähig ist, können die DoorBird-Komponenten, die an der RJ45-Buchse „TO/FROM INTERCOM LAN/PoE IN“ angeschlossen sind, eingeschaltet werden. Wenn sie bereits eingeschaltet waren, bevor das Gerät vollständig betriebsbereit war, starten Sie diese nochmals neu.






**NOTICE** Kombinieren Sie die Stromversorgung per Steckernetzteil nicht mit der Stromversorgung per PoE.

### PWR LED

Ob das Gerät mit Strom versorgt wird können Sie anhand der PWR-LED überprüfen. Die PWR-LED leuchtet etwa 30 bis 60 Sekunden, nachdem das Gerät an den Strom angeschlossen wurde und bleibt dann für 5 Minuten aktiv. Überprüfen Sie den Verbindungsstatus des Geräts anhand der Statusanzeige auf der Oberseite. Wenn die PWR-LED nicht leuchtet, überprüfen Sie bitte die Spannungsversorgung. Im Falle von PoE, stellen Sie sicher, dass Sie ein kompatibles PoE-Gerät verwenden (<https://www.doorbird.com/poe>). Wenn Sie ein Steckernetzteil und kein PoE-Gerät verwenden, überprüfen Sie bitte, ob Sie den Plus- und Minuspol richtig an das Gerät angeschlossen haben.

## STATUS DISPLAY

Ob das Gerät mit Strom versorgt wird, können Sie an der Status-LED an der Seite des Geräts erkennen.

-  TO/FROM ROUTER LAN verbunden  
Internetverbindung verfügbar
-  TO/FROM ROUTER LAN verbunden  
Keine Internetverbindung verfügbar
-  TO/FROM ROUTER LAN nicht verbunden  
Z.B.: kein Netzwerkkabel angeschlossen

## TECHNISCHE DATEN

Abmessung	104 x 75 x 34 mm (L x B x H) 4.10 x 2.96 x 1.32 in (L x B x H) 15 V DC oder Power over Ethernet (PoE IEEE 802.3 af oder höher)
Stromversorgung	Hinweis: PoE -Switch, PoE-Injektor oder Netzteil nicht im Lieferumfang enthalten
Leistungsaufnahme	1 W
Betriebsbedingungen	0 bis +55°C / 32 bis 131°F Relative Luftfeuchtigkeit 0 % bis 85 % (nicht kondensierend)
Schutzklasse	IP 30
Montage	• Hutschiene / DIN Rail • Wandmontage
Zulassung	CE, FCC, IC, RoHS, WEEE, UKCA
Anschlüsse & Schnittstelle	2x RJ45 Buchse (10/100 Base-T) • TO/FROM ROUTER LAN Zum/vom Router LAN • TO/FROM INTERCOM LAN/POE IN: Zum/vom Netzwerk der Türstation LAN/PoE  1x Schraubklemme • 15 V DC Eingang (-/+)
Display	LCD Status Display • Hintergrundbeleuchtung (blau) • Anzeige des Netzwerkstatus  PWR LED

Funktionen	Netzwerkfilter: Filtert aktiv den Netzwerkverkehr und blockiert unbefugten Zugriff
	DHCP Server: Integrierter DHCP Server (10.223.x.x), max. 1000 Endgeräte
Systemanforderungen	IP Whitelist: Freigabe von IP-Adressen oder Domains beispielsweise für Steuerfunktionen von Smart Home Systemen
	Mobiles Endgerät: Neuestes iOS auf iPhone/iPad, neuestes Android auf Smartphone/Tablet
	Internet: High-Speed Festnetz Breitband Internetanschluss, DSL, Kabel oder Glasfaser, kein Socks- oder Proxyserver
Lieferumfang	Netzwerk: Ethernet Netzwerk mit DHCP
	Kompatibel mit allen DoorBird IP Video Türstationen und DoorBird Peripherie-Geräten
	1 x A1051 Internet Firewall 1 x Installationsanleitung 1 x Quickstartanleitung mit Digital Passport 1 x Kleinteile
Gewicht	155 g
EAN	4260423872103
Empfohlenes Zubehör	Steckernetzteil (GTIN/EAN: 4260423867314, P/N: 423867314)

## RECHTLICHE HINWEISE

### Allgemeines

1. DoorBird ist ein registriertes Warenzeichen der Bird Home Automation GmbH.
2. Apple, das Apple Logo, Mac, Mac OS, Macintosh, iPad, Multi-Touch, iOS, iPhone und iPod touch sind Warenzeichen von Apple Inc.
3. Google, Android und Google Play sind Warenzeichen von Google, Inc.
4. Die Bluetooth® Wortmarke und Logos sind Warenzeichen von Bluetooth SIG, Inc.
5. Alle anderen Firmen- und Produktnamen können Warenzeichen der jeweiligen Firmen sein, mit denen sie in Verbindung gebracht werden.
6. Änderungen an unseren Produkten, die dem technischen Fortschritt dienen, behalten wir uns vor. Die abgebildeten Produkte können im Zuge der ständigen Weiterentwicklung auch optisch von den ausgelieferten Produkten abweichen.
7. Abdrucke oder Übernahme von Texten, Abbildungen und Fotos in beliebigen Medien aus dieser Anleitung – auch auszugsweise – sind nur mit unserer ausdrücklichen schriftlichen Genehmigung gestattet.
8. Die Gestaltung dieser Anleitung unterliegt dem Urheberrecht. Für eventuelle Irrtümer, sowie inhaltliche- bzw. Druckfehler (auch bei technischen Daten oder innerhalb von Grafiken und technischen Skizzen) übernehmen wir keine Haftung.
9. Unsere Produkte entsprechen den in Deutschland, der EU und USA geltenden technischen Richtlinien, elektrischen Bestimmungen und Telekommunikationsbestimmungen.
10. Unsere Produkte und auch die darin enthaltenen Komponenten (ICs, Software etc.) dürfen ausschließlich für zivile nicht-militärische Zwecke eingesetzt werden.

### Datenschutz und Datensicherheit

1. Für maximale Sicherheit verwendet das Gerät dieselben Verschlüsselungstechnologien wie beim Onlinebanking. Zu Ihrer Sicherheit sind auch keine Portweiterleitungen oder DynDNS im Einsatz.
2. Der Standort des Rechenzentrums für den Fernzugriff per App über das Internet ist verbindlich in der EU, wenn der festgestellte Internet IP-Adressen Standort des Geräts in der EU ist. Das Rechenzentrum wird nach strengsten Sicherheitsstandards betrieben.
3. Video-, Audio- und jede andere Überwachungsmethode können durch Gesetze geregelt werden, die von Land zu Land variieren. Überprüfen Sie die Gesetze in Ihrer Region vor der Installation und Verwendung dieses Gerätes für Überwachungszwecke.

Wenn es sich bei dem Gerät um eine Tür-, Innenstation oder Kamera handelt:

- In vielen Ländern darf Videobild und Sprache erst dann übertragen werden, wenn ein Besucher geklingelt hat (Datenschutz, konfigurierbar in der App)
- Führen Sie die Montage so durch, dass sich der Erfassungsbereich der Kamera ausschließlich auf den unmittelbaren Eingangsbereich beschränkt.
- Das Gerät verfügt ggf. über eine integrierte Besucherhistorie und Bewegungssensor. Sie können diese Funktionen, wenn erforderlich, aktivieren/deaktivieren.

Erkundigen Sie sich beim Eigentümer und Ihrer Hausgemeinschaft, ob Sie dieses Produkt installieren und verwenden dürfen. Bird Home Automation GmbH übernimmt keine Verantwortung für den Missbrauch oder die Fehlkonfiguration dieses Produkts, auch nicht durch unerwünschtes Öffnen einer Tür.

Bird Home Automation kann nicht für Schäden haftbar gemacht werden, die durch unsachgemäße bestehende Installationen oder unsachgemäße Installation entstehen.

Weisen Sie bei Erfordernis an geeigneter Stelle und in geeigneter Form auf das Vorhandensein des Geräts hin.

Beachten Sie alle am Installationsort geltenden relevanten landesspezifischen gesetzlichen Regelungen für den Einsatz von Überwachungskomponenten und Überwachungskameras.

Software Updates bzw. Aktualisierungen des Betriebssystems (so genannte „Firmware-Updates“) werden im Normalfall automatisch in die Produkte der Bird Home Automation GmbH über das Internet eingespielt, sofern technisch möglich. Mit automatischen Firmware-Updates wird die Software der Produkte auf dem neuesten verfügbaren Stand gehalten, damit sie stets zuverlässig, sicher und leistungsstark arbeiten. Durch Weiterentwicklung können Funktionen im Zeitverlauf hinzugefügt, erweitert oder geringfügig geändert werden. Größere Änderungen bzw. Einschränkungen

bereits vorhandener Funktionen erfolgen im Normalfall nur, sofern Bird Home Automation GmbH dies für erforderlich hält (z.B. aus Datenschutz-, Datensicherheits- oder Stabilitätsgründen oder um sie auf dem Stand der Technik zu halten). Wenn ein Firmware-Update verfügbar ist, verteilen es die Server der Bird Home Automation GmbH im Normalfall automatisch an alle kompatiblen Produkte, die mit dem Internet bzw. Server der Bird Home Automation GmbH verbunden sind. Dieser Prozess erfolgt schrittweise und kann mehrere Wochen dauern. Wenn ein Produkt ein Firmware-Update erhält, installiert es dieses und startet im Normalfall neu. Installierte Firmware-Updates können nicht rückgängig gemacht werden. Da es sich bei den Produkten und der Software der Bird Home Automation GmbH nicht um explizit kundenspezifisch entwickelte Produkte handelt, kann ein Kunde ein automatisches Update nicht verwehren, sofern das Produkt mit dem Internet bzw. Server der Bird Home Automation GmbH verbunden ist.

### Herausgeber

Bird Home Automation GmbH  
Uhländstraße 165  
10719 Berlin  
Deutschland  
Web: [www.doorbird.com](http://www.doorbird.com)  
Email: [hello@doorbird.com](mailto:hello@doorbird.com)

Es ist möglich, dass die vorliegende Anleitung noch drucktechnische Mängel oder Druckfehler aufweist. Die Angaben in dieser Anleitung werden jedoch regelmäßig überprüft und Korrekturen in der nächsten Ausgabe vorgenommen. Für Fehler technischer oder drucktechnischer Art und ihre Folgen übernehmen wir keine Haftung.

## MANUEL D'INSTALLATION

Veillez lire attentivement les instructions suivantes avant de commencer à utiliser l'un des composants. Conservez ce manuel pour pouvoir le consulter à nouveau ultérieurement en cas de besoin. Si vous transférez l'appareil à un autre utilisateur, veillez également remettre à cette personne le manuel d'utilisation.

La dernière version à jour du manuel d'installation est systématiquement mise en ligne sur [www.doorbird.com/support](http://www.doorbird.com/support)  
Pour simplifier la lecture du manuel, nous utilisons le terme « appareil » pour désigner le produit « Pare-feu Internet A1051 » et le terme « terminal mobile » pour désigner un smartphone ou une tablette.

### Responsabilité

Ce document a été rédigé avec la plus grande rigueur. En tout état de cause, merci de bien vouloir signaler à Bird Home Automation GmbH toute erreur ou omission que vous pourriez rencontrer. Bird Home Automation GmbH ne saurait être tenue responsable des erreurs techniques ou typographiques contenues dans le présent document, et se réserve le droit d'apporter sans avis préalable toute modification utile au produit et aux manuels. Bird Home Automation GmbH n'apporte aucune garantie (et écarte notamment toute garantie implicite de qualité marchande et d'adéquation à une finalité donnée) quant au contenu du présent document. La responsabilité de Bird Home Automation GmbH ne saurait être engagée en cas de dommages indirects ou consécutifs en lien avec la livraison, la performance ou l'utilisation de cet équipement. Ce produit doit être utilisé exclusivement pour la finalité à laquelle il est destiné.

### Modifications de l'équipement

Cet équipement doit impérativement être installé et utilisé dans le strict respect des instructions contenues dans les documents de l'utilisateur. Cet équipement ne contient aucun composant nécessitant un entretien de la part de l'utilisateur. Le remplacement ou la modification sans autorisation de l'équipement entraînera l'annulation des certifications et conformités réglementaires applicables.

### Symboles utilisés



**Danger** : indique une situation dangereuse qui, si rien n'est fait pour l'éviter, entraîne la mort ou des blessures graves.



**Mise en garde** : indique une situation dangereuse qui, si rien n'est fait pour l'éviter, peut entraîner la mort ou des blessures graves.



**Prudence** : indique une situation dangereuse qui, si rien n'est fait pour l'éviter, peut entraîner des lésions légères.



**Remarque** : indique une situation dangereuse qui, si rien n'est fait pour l'éviter, peut entraîner des dommages matériels.



**Important** : indique la présence d'informations importantes garantissant le fonctionnement correct du produit.



**Indication** : indique la présence d'informations utiles en vue de l'utilisation optimale de l'appareil.

### Indications de danger



#### WARNING

- L'installation, le montage et les travaux d'entretien des appareils électriques doivent être exclusivement réalisés par un spécialiste agréé. En ne respectant pas cette consigne, vous risquez de vous exposer à de graves dangers pour votre santé ou à un danger de mort par électrocution.
- Appareils avec raccordement 110-240 V : l'appareil ne doit être raccordé qu'à une prise de courant facilement accessible. En cas de danger, débranchez l'adaptateur secteur.
- Pour l'alimentation électrique, utilisez uniquement l'adaptateur principal enfichable d'origine livré avec l'appareil, des blocs d'alimentations sur rail DIN disponibles séparément ou un convertisseur PoE/Injecteur PoE recommandé, comme indiqué dans ce manuel.
- En raison de la charge électrostatique, le contact direct avec le circuit imprimé peut entraîner la destruction de l'appareil. Le contact direct avec le circuit imprimé doit donc être évité à tout moment.
- Respectez les normes EN 60065, EN 60950 et EN 62368.
- N'utilisez pas l'appareil si celui-ci présente en apparence des dommages extérieurs, comme par exemple des dommages au boîtier, aux éléments de commande ou aux prises de raccordement, ou s'il présente un dysfonctionnement quelconque. En cas de doute, veuillez faire contrôler l'appareil par un spécialiste agréé.
- N'ouvrez pas l'appareil car cela annulera votre garantie. Aucune pièce de l'appareil ne nécessite un entretien par l'utilisateur. En cas d'erreurs, veuillez faire contrôler l'appareil par un spécialiste agréé.
- Pour des raisons de sécurité, d'homologation et de licences (CE/FCC/IC etc.), il est interdit de procéder à des transformations et/ou des modifications de l'appareil sans autorisation.
- Cet appareil n'est pas un jouet : ne laissez pas les bébés et les enfants jouer avec.
- Pour éviter tout risque de suffocation, tenez les matériaux d'emballage hors de portée des bébés et des enfants. Les films/sacs en

plastique, les morceaux de polystyrène, etc. ne sont pas des jouets et peuvent être dangereux entre les mains d'un enfant. Jetez les matériaux d'emballage immédiatement après avoir retiré le produit. Ne réutilisez pas les matériaux d'emballage.

- Posez les câbles de telle façon qu'ils ne deviennent pas un danger potentiel pour les personnes et les animaux domestiques.
- Il y a de la tension sur certaines pièces de l'appareil. Ne touchez aucune pièce non associée à l'installation, au câblage ou au branchement. Des décharges électriques peuvent en résulter.
- Maintenez les appareils non repris comme résistant aux intempéries à l'abri de l'eau et de tout autre liquide.
- Ne procédez jamais à une installation ni à des branchements lorsque l'alimentation électrique est activée. L'appareil pourrait en résulter endommagé et pourrait provoquer des décharges électriques.
- Avant de mettre sous tension, assurez-vous que les fils ne soient pas croisés et ne présentent pas de court-circuit. Il peut en résulter un incendie ou des décharges électriques.
- Il peut y avoir de la haute tension à l'intérieur de l'appareil. N'ouvrez pas l'appareil. Il peut en résulter des décharges électriques.
- L'appareil n'est pas protégé contre les explosions. Ne l'installez pas et ne l'utilisez pas à proximité de gaz ou de matériaux inflammables. Un incendie ou une explosion pourrait en résulter.
- N'installez pas deux alimentations en parallèle sur une même entrée. L'appareil pourrait en résulter endommagé et un incendie pourrait se déclarer. Veillez bien à ne raccorder qu'une seule alimentation électrique à l'appareil.
- Ne raccordez aucun terminal de l'appareil à une ligne d'alimentation. Il peut en résulter un incendie ou des décharges électriques.
- Assurez-vous que le câble d'alimentation ne soit ni endommagé, ni écrasé. Si le câble est rompu, il peut en résulter un incendie ou une décharge électrique.
- Ne branchez et ne débranchez jamais rien avec les mains mouillées. Cela pourrait provoquer des décharges électriques.
- N'introduisez pas de matériaux métalliques ou inflammables dans l'appareil. Cela pourrait provoquer un incendie, des décharges électriques ou des dysfonctionnements au niveau de l'appareil.
- Il peut y avoir de l'électricité à haute tension sur les câblages existants, comme le câblage du carillon de porte (et bien d'autres). L'appareil pourrait en résulter endommagé et pourrait envoyer des décharges électriques. Le câblage et l'installation doivent être effectués

par un spécialiste agréé.

- Fixez l'appareil au mur ou au plafond et évitez les emplacements où l'appareil risquerait d'être exposé à des vibrations et à des chocs car cela pourrait endommager l'appareil.
- Pour les appareils munis d'une borne de terre, il faut un raccordement effectif à la terre. Dans le cas contraire, il existe des risques d'incendie et de dysfonctionnement de l'appareil.
- Pour les appareils contenant du plastique ou du verre véritable, n'exercez pas de forte pression sur le verre. La rupture de celui-ci peut occasionner des blessures.
- Pour les appareils avec écran LCD, si l'écran LCD est endommagé, n'entrez pas en contact avec les cristaux liquides car cela pourrait occasionner des blessures. Au besoin, rincez-vous la bouche, nettoyez vos yeux ou votre peau à l'eau claire pendant 15 minutes au minimum et consultez votre médecin traitant.
- Ne déposez rien sur l'appareil et ne le recouvrez pas de tissu, de silicone, de colle, ou de tout autre revêtement, etc. Il pourrait en résulter un incendie et un dysfonctionnement de l'appareil.
- N'installez pas l'appareil à l'un des emplacements suivants car il pourrait s'ensuivre un incendie, une décharge électrique ou des dysfonctionnements au niveau de l'appareil :
  - Emplacements exposés à la lumière directe du soleil ou à proximité d'appareils de chauffage dont la température varie.
  - Emplacements exposés à la poussière, à l'huile, aux produits chimiques, à l'acide sulfurique (source chaude).
  - Emplacements soumis à des conditions d'humidité et d'humidité extrêmes, tels que des salles de bains, des caves, des serres, etc.
  - Emplacements où la température est très basse, p. ex. une zone réfrigérée ou devant un climatiseur.
  - Emplacements exposés à la vapeur et à la fumée (p. ex. à proximité de surfaces chauffantes ou de cuisson).
  - Emplacements à proximité immédiate d'appareils émettant du bruit, tels que des gradateurs ou des appareils électriques à onduleur.
  - Emplacements soumis à de fréquentes vibrations ou chocs.
- Pour les appareils avec fonction interphone, assurez-vous d'effectuer un test d'appel avec un faible volume audio sur les deux appareils. Un appel soudain ou un autre incident du même type, peut se produire et causer des dommages à votre ouïe.
- Si l'appareil ne fonctionne pas correctement, débranchez l'alimentation.
- Les appareils qui ne sont pas repris comme





## WARNING

résistants aux intempéries sont conçus pour un usage intérieur uniquement et ne doivent pas être utilisés à l'extérieur.

- Ne pas pulvériser d'eau à haute pression sur les appareils qui sont repris comme résistant aux intempéries. Des dysfonctionnements au niveau de l'appareil pourraient s'ensuivre.
- Nous déclinons toute responsabilité en cas de dommages matériels ou corporels suite à une manipulation inappropriée ou au non-respect des instructions de sécurité. Dans ce type de cas, il n'existe aucun recours en garantie ! Nous déclinons toute responsabilité en cas de dommages indirects.

## Consignes de sécurité



- L'appareil doit être utilisé conformément aux lois et règlements locaux.
- Stockez l'appareil dans un endroit sec et aéré.
- Évitez d'exposer l'appareil à des chocs ou à une forte pression.
- N'installez pas l'appareil sur des supports, surfaces ou parois instables. Assurez-vous que le matériau utilisé soit suffisamment stable pour supporter le poids de l'appareil.
- Lors de l'installation de l'appareil, utilisez uniquement des outils appropriés. L'utilisation d'une force excessive avec les outils peut endommager l'appareil.
- N'utilisez pas de produits chimiques, d'agents caustiques ou de nettoyeurs en aérosol.
- Pour le nettoyage, utilisez un chiffon propre et sec.
- Utilisez exclusivement des accessoires conformes aux spécifications techniques de l'appareil. Ceux-ci sont disponibles chez Bird Home Automation GmbH.
- Utilisez exclusivement des pièces de rechange fournies ou recommandées par Bird Home Automation GmbH.
- N'essayez pas de réparer l'appareil vous-même. Pour toute réparation et pour tout entretien, adressez-vous à Bird Home Automation GmbH.
- Tenez l'appareil à une distance minimale d'un 1 mètre (3,3') des appareils de type four à micro-ondes, radio, TV, routeur sans fil et autres appareils sans fil.
- Pour les appareils équipés d'un interphone, d'un haut-parleur ou d'un microphone intégré, ou des appareils avec fonctions de transmission de signaux, installez les fils à plus de 30 cm (12") de distance du câblage AC 100 - 240 V. Un bruit induit par le courant alternatif et/ou un mauvais fonctionnement de l'appareil pourrait en résulter.
- Installez l'appareil dans un endroit accessible en cas d'inspections, de réparations et d'entretiens

à venir.

- Si l'appareil est utilisé à proximité d'un téléphone mobile, des perturbations peuvent s'ensuivre.
- En cas de chute, l'appareil peut être endommagé. Manipulez-le avec prudence.
- L'appareil est hors service en cas de panne de courant.
- Pour les appareils équipés d'un interphone, d'un haut-parleur ou d'un microphone intégré, le fonctionnement de l'appareil peut être entravé dans les endroits se trouvant à proximité d'antennes cellulaires ou de radiodiffusion / télévision.
- Pour les appareils à écran LCD, il est important de noter que, bien qu'un écran LCD soit fabriqué avec des techniques de très haute précision, il y aura toujours, inévitablement, une très petite partie de ses éléments visuels qui ne sera pas toujours éclairée, voire même pas éclairée du tout. Ceci n'est pas considéré comme un dysfonctionnement de l'appareil.
- Pour les appareils avec fonction interphone, les bruits ambiants autour de l'appareil peuvent entraver sa bonne communication. Ceci n'est pas considéré comme un dysfonctionnement.
- Pour les appareils requérant un nom d'utilisateur / mot de passe, l'utilisateur est responsable de l'accès à l'appareil au moyen d'un nom d'utilisateur / mot de passe. Veillez à utiliser un mot de passe qu'un tiers ne pourra pas deviner aisément. Nous vous recommandons également de modifier régulièrement votre mot de passe.
- Nous ne serons en aucun cas responsables des dommages causés par des pannes d'alimentation électrique, d'équipement de réseau ou de terminaux, des défaillances dues à des fournisseurs d'accès Internet et de réseaux cellulaires, des pannes telles que des lignes déconnectées et autres pertes de communication, ce qui rendrait impossible la fourniture de ce service et retarderait de quelque manière que ce soit ce service pour tout autre cause ne relevant pas de notre responsabilité, ou si une erreur ou des données manquantes se produisent pendant la transmission.



## Informations relatives à l'élimination des déchets, destinées aux utilisateurs d'appareils électriques et électroniques (appareils ménagers domestiques)

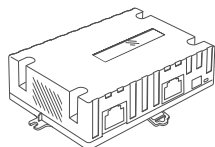
Lorsque ce symbole figure sur les produits et/ou les documents qui les accompagnent, cela signifie que les appareils électriques et électroniques ne doivent pas être jetés avec les ordures ménagères. Pour que ces produits subissent un traitement, une récupération et un recyclage appropriés, envoyez-les dans les points de collecte désignés, où ils peuvent être déposés gratuitement. Dans certains pays, il est possible de renvoyer les produits au revendeur local en cas d'achat 25

d'un produit équivalent. En éliminant correctement ce produit, vous contribuez à la conservation des ressources vitales et à la prévention des éventuels effets néfastes sur l'environnement et la santé humaine qui pourraient survenir dans le cas contraire. Afin de trouver le point de collecte le plus proche, veuillez contacter les autorités locales. Des sanctions peuvent être appliquées en cas d'élimination incorrecte de ces déchets, conformément à la législation nationale.

### Informations sur l'élimination des déchets dans les pays ne faisant pas partie de l'Union européenne

Ce symbole n'est reconnu que dans l'Union européenne. Pour vous débarrasser de ce produit, veuillez contacter les autorités locales ou votre revendeur afin de connaître la procédure d'élimination à suivre.

## COMPOSANTS\*



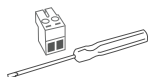
1x Pare-feu Internet A1051



1x Manuel d'installation



1x Guide de démarrage rapide avec passeport numérique



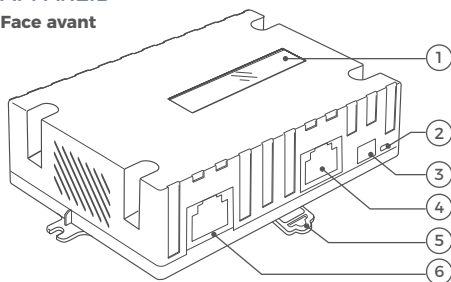
1x Connecteur à visser et tournevis adapté



2x chevilles et vis cruciformes à tête fraisée

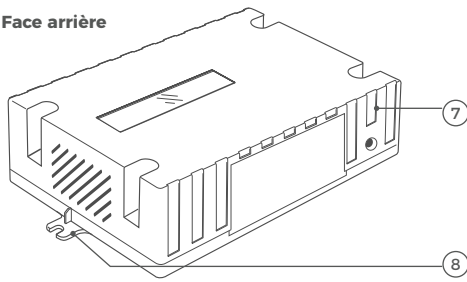
## APPAREIL

### Face avant



- 1) Écran d'état LCD  
Écran LCD bleu rétroéclairé pour afficher l'état de l'appareil et un diagnostic rapide des erreurs.
- 2) Diode témoin d'alimentation « PWR »  
Diode d'alimentation et de diagnostic pour afficher l'état actuel de l'appareil.
- 3) Alimentation 15 VDC -/+  
Connecteur à visser pour relier l'appareil à une alimentation DoorBird (disponible séparément) en remplacement de l'alimentation PoE.
- 4) TO/FROM INTERCOM LAN/POE IN  
Prise RJ45 pour brancher un câble réseau (Cat. 5 ou supérieure) au segment du réseau auquel sont reliés les appareils DoorBird sur IP. Utilisez ce port pour alimenter l'appareil par PoE en remplacement de l'alimentation secteur.

### Face arrière



- 5) Connecteur pour rail DIN  
Raccord clip pour montage sur rail DIN
- 6) TO/FROM ROUTER LAN  
Prise RJ45 pour brancher un câble réseau (Cat. 5 ou supérieure) au segment du réseau auquel est relié le switch/routeur fournissant une connexion Internet active.
- 7) Bouton de paramétrage « SET »  
Bouton à utiliser pour paramétrer l'appareil sur différents modes de configuration, par exemple, pour réinitialiser l'appareil en restaurant les réglages par défaut.
- 8) Supports de fixation murale  
Support pour fixer l'appareil au mur. Vis et chevilles incluses.

## VIDÉOS

Avez-vous besoin d'aide pour l'installation ? N'hésitez pas à visionner les vidéos d'installation que vous trouverez sur <http://www.doorbird.com/support>

## INSTALLATION

Toutes les étapes décrites ci-après doivent être réalisées attentivement par un adulte compétent, en tenant compte de la réglementation applicable en matière de sécurité. N'hésitez pas à nous contacter directement ou à faire appel à un technicien spécialisé.



Assurez-vous que tous les câbles utilisés pour l'installation sont en bon état sur toute leur longueur, et qu'ils sont conformes au type requis pour l'utilisation envisagée.

1

### COUPER L'ALIMENTATION



Coupez l'alimentation électrique de l'emplacement de montage, par exemple la sonnette d'entrée, l'ouverture électrique de la porte, l'alimentation électrique de l'interphone vidéo, etc.

3

### FIXER L'APPAREIL

Vous pouvez fixer l'appareil au mur à l'aide du support de fixation murale, des vis et chevilles fournies, ou sur un rail DIN, à l'aide de l'adaptateur pour rail DIN fourni.

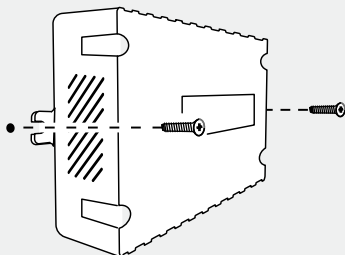
#### Solution 1

#### FIXATION MURALE



Assurez-vous de ne toucher aucun objet (par ex. un câble) en perçant les trous.

Si les murs du logement ne sont pas réalisés en bois, vous devrez percer dans le mur des trous pour cheville de diamètre 5 mm, avant d'y insérer les chevilles fournies. Si les murs du logement sont réalisés en bois, nous n'aurez normalement pas besoin de chevilles. Il existe des chevilles spécialement conçues pour la fixation sur une paroi isolée (par ex. les chevilles Fischer). Consultez le fabricant de l'isolant de vos murs pour connaître les chevilles de fixation adaptées.



#### Débit et composants du réseau

Assurez-vous que votre connexion Internet dispose d'un débit ascendant d'au moins 0,5 Mbps. La qualité de l'expérience utilisateur est directement liée au débit et à la stabilité de votre réseau, ainsi qu'à la qualité des composants de votre réseau (par exemple, routeur Internet et points d'accès WiFi ou répéteurs WiFi). Assurez-vous également que les composants de votre réseau ne datent pas de plus de deux ans, qu'ils proviennent d'un fabricant réputé, et que la dernière version disponible du firmware a bien été installée.

Si ces conditions ne sont pas réunies, vous pourriez observer de mauvaises performances audio ou vidéo, ou un retard à l'affichage des notifications push, voire un défaut complet d'affichage des notifications sur votre smartphone ou tablette.

#### Configuration requise :

Internet haut débit (par ligne terrestre) : DSL, câble ou fibre optique

Réseau : Ethernet avec DHCP

2

### DÉTERMINER L'EMPLACEMENT DE MONTAGE

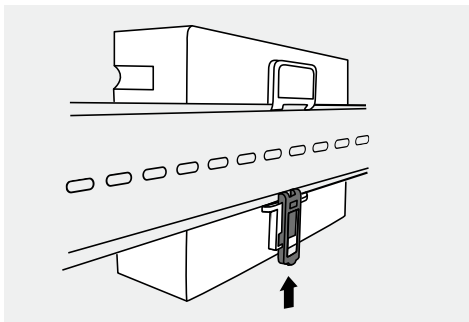
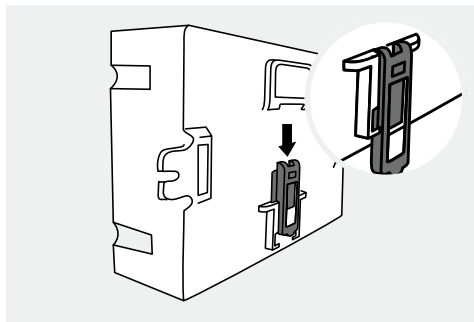


L'appareil est certifié IP30 (il n'est pas étanche). Assurez-vous de placer l'appareil dans un boîtier adapté si vous souhaitez l'utiliser en extérieur.

Le câble réseau reliant l'appareil au switch PoE, à l'injecteur PoE ou au routeur Internet doit présenter une longueur maximale de 80 mètres/262 pieds.

## Solution 2 FIXATION SUR RAIL DIN

L'appareil peut être fixé sur un rail DIN. Utilisez l'adaptateur pour rail DIN situé sur la face arrière de l'appareil.



## 4

### ALIMENTATION ÉLECTRIQUE

Il est possible d'alimenter l'appareil par le réseau (PoE, Power over Ethernet) ou au moyen d'un adaptateur secteur DoorBird vendu séparément (bloc secteur ou alimentation pour rail DIN). L'appareil n'est pas alimenté par batterie.

**!** Débranchez l'alimentation de tous les autres appareils DoorBird présents sur le réseau avant de mettre en service le pare-feu Internet DoorBird A1051.

#### Solution 1



### ALIMENTATION ET CONNEXION RÉSEAU PAR POE (POWER OVER ETHERNET, SOLUTION RECOMMANDÉE)

Pour alimenter l'appareil via un switch PoE (par ex. D-Link DGS-1008P) ou un injecteur PoE (par ex. injecteur PoE Gigabit DoorBird A1093) conforme à la norme PoE IEEE 802.3 af Mode A, en utilisant les quatre fils portant les numéros 1, 2, 3 et 6 d'un câble de Cat. 5 ou supérieure. Assurez-vous d'utiliser un câble réseau Cat. 5 ou supérieure de bonne qualité, équipé d'un blindage adapté (S/FTP ou SFTP) relié à la tresse métallique extérieure de la prise RJ45 (8P8C). Si vous utilisez l'alimentation PoE, les quatre fils nécessaires à l'alimentation de puissance transmettent également les données.

L'appareil ne démarrera pas si votre switch ou injecteur PoE n'est pas conforme à la norme PoE IEEE 802.3 af Mode A (voir diode d'alimentation).



1. Débranchez le switch ou injecteur PoE de l'alimentation secteur.
2. Posez le câble réseau jusqu'à l'emplacement d'installation de l'appareil.

Vous trouverez d'autres informations concernant le PoE sur : <http://www.doorbird.com/poe>

#### Solution 2



### ALIMENTATION PAR ADAPTEUR SECTEUR (DISPONIBLE DANS LA BOUTIQUE DOORBIRD)

Pour alimenter l'appareil au moyen d'un adaptateur secteur, 2 fils isolés sont nécessaires. Dans ce cas, la connexion réseau est établie au moyen d'un câble réseau. Notre boutique en ligne propose des modules d'alimentation :

<https://www.doorbird.com/shop/>



Ne branchez pas encore l'adaptateur secteur à la prise murale. Utilisez uniquement le module d'alimentation fourni avec l'appareil ou un module d'alimentation pour rail DIN que nous pouvons vous fournir séparément. En effet, ces composants ont fait l'objet d'une stabilisation électrique spécifique et sont équipés d'un dispositif intégré de réduction des interférences audio. En utilisant un module d'alimentation différent, vous risquez de détruire l'appareil. La qualité de la transmission peut également en être dégradée.



Nous proposons dans notre boutique en ligne des modules d'alimentation rail DIN, qui pourront être installés par un technicien spécialisé. Dans ce cas, la connexion réseau est établie au moyen d'un câble réseau.

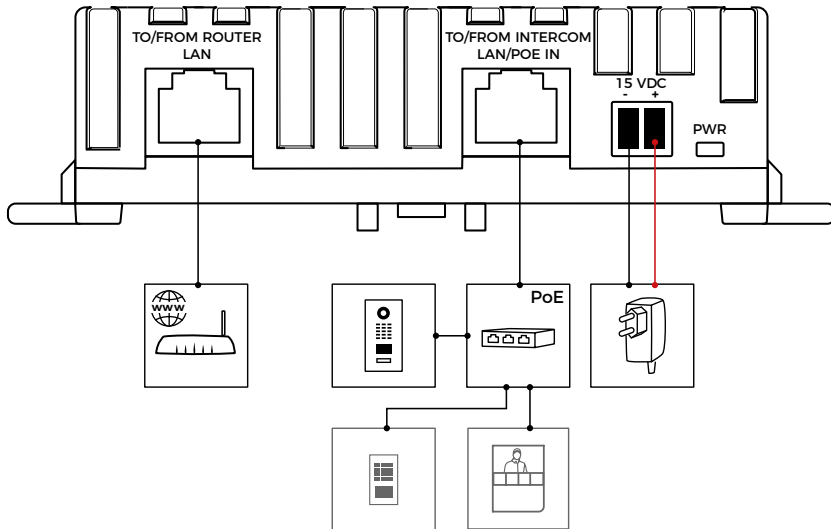
## 5

## BRANCHER L'APPAREIL

Le bornier à vis étiqueté permet de brancher les câbles et les fils à l'appareil de manière pratique et sûre. Vous pouvez à présent brancher tous les câbles et fils nécessaires à l'appareil.



Pensez à débrancher des ports de connexion de l'appareil les câbles et fils dont vous n'avez pas besoin.



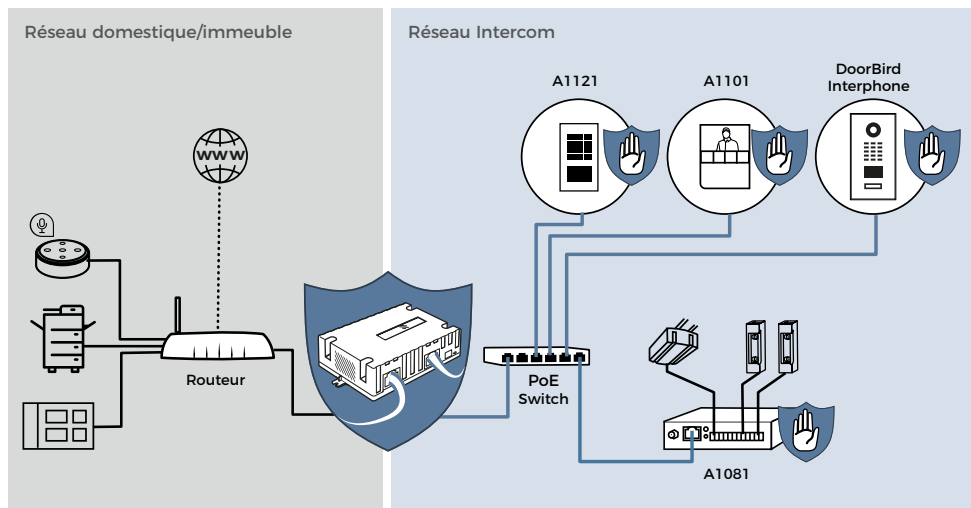
PORT	DESCRIPTION
TO/FROM ROUTER LAN	(Entrée/Sortie routeur réseau) Prise RJ45 pour brancher un câble réseau (Cat. 5 ou supérieure) au segment du réseau auquel est relié le switch/routeur fournissant une connexion Internet active.
TO/FROM INTERCOM LAN/POE IN	(Entrée/Sortie Intercom réseau/Entrée PoE) Prise RJ45 pour brancher un câble réseau (Cat. 5 ou supérieure) au segment du réseau auquel sont reliés les appareils DoorBird sur IP. Utilisez ce port pour alimenter l'appareil par PoE.
15 VDC -	Entrée d'alimentation 15 VDC, pôle négatif (-). Branchez ici le fil noir de l'alimentation (adaptateur secteur), si vous n'alimentez pas l'appareil par PoE. <b>NOTICE</b> N'alimentez pas l'appareil simultanément au moyen d'un adaptateur secteur et par PoE.
15 VDC +	Entrée d'alimentation 15 VDC, pôle positif (+). Branchez ici le fil rouge de l'alimentation (adaptateur secteur), si vous n'alimentez pas l'appareil par PoE. <b>NOTICE</b> N'alimentez pas l'appareil simultanément au moyen d'un adaptateur secteur et par PoE.



Reliez l'appareil à une alimentation DoorBird en remplacement de l'alimentation PoE. Disponible dans notre boutique en ligne (Code GTIN/EAN : 4260423867314, Réf. : 423867314)

## FONCTIONNEMENT

Le pare-feu Internet A1051 bloquera par défaut tout le trafic qui n'est pas absolument nécessaire au fonctionnement du système DoorBird. Toutefois, certaines configurations d'utilisation peuvent exiger que tous les composants ou autres appareils DoorBird (par ex. d'autres appareils de domotique) branchés au port « TO/FROM INTERCOM LAN/PoE IN » puissent se connecter à certaines adresses précises. Il est donc possible d'inscrire certaines IP ou certains hôtes sur une liste blanche. Pour obtenir des informations complémentaires, nous vous invitons à consulter le manuel de l'application <https://manual.doorbird.com/app>



Pour autoriser également une connexion locale à un client qui ne fait pas partie du réseau du pare-feu (par ex. un terminal mobile sur lequel est installée l'application DoorBird), il est possible d'activer la fonction « Transférer les appareils connectés » dans la partie « Administration » de l'application.

## 6

### METTEZ L'APPAREIL SOUS TENSION

⚠ Débranchez l'alimentation de tous les autres appareils DoorBird présents sur le réseau, avant de mettre sous tension le pare-feu Internet DoorBird A1051.

Rétablissez l'alimentation électrique de l'emplacement d'installation de l'appareil. Si la diode témoin de l'alimentation ne s'allume pas, vérifiez l'alimentation. Si vous utilisez un adaptateur secteur plutôt que l'alimentation PoE, assurez-vous d'avoir correctement branché les pôles positif et négatif de l'appareil.

Dès que le pare-feu Internet A1051 est opérationnel, les composants DoorBird branchés à la prise RJ45 Prise E/S INTERCOM LAN/Entrée POE (« TO/FROM INTERCOM LAN/PoE IN ») peuvent être mis sous tension. S'ils avaient déjà été mis sous tension avant que l'appareil ne soit pleinement opérationnel, veuillez les éteindre, puis les rallumer.



**NOTICE** N'alimentez pas l'appareil simultanément au moyen d'un adaptateur secteur et par PoE.




### DIODE TÉMOIN D'ALIMENTATION « PWR »

Vous pouvez voir si l'appareil est alimenté en contrôlant la diode témoin d'alimentation, étiquetée « PWR ». Cette diode témoin s'allume environ 30 à 60 secondes après que l'appareil a été mis sous tension, et reste allumée pendant 5 minutes. Pour connaître l'état de connexion de l'appareil, consultez l'afficheur d'état situé sur le dessus de l'appareil. Si la diode témoin de l'alimentation ne s'allume pas, vérifiez l'alimentation. Si vous utilisez l'alimentation PoE, assurez-vous d'utiliser un appareil PoE compatible (<https://www.doorbird.com/poe>). Si vous utilisez une alimentation par adaptateur secteur et non le PoE, assurez-vous d'avoir respecté la polarité des

30 branchements à l'appareil.

## ÉCRAN D'ÉTAT LCD

Vous pouvez voir si l'appareil est alimenté en contrôlant l'écran d'état LCD situé sur le côté de l'appareil.

-  E/S ROUTEUR RÉSEAU connecté  
Connexion Internet disponible
-  E/S ROUTEUR RÉSEAU connecté  
Pas de connexion Internet disponible
-  E/S ROUTEUR RÉSEAU non connecté  
Par ex. aucun câble réseau branché

## CARACTÉRISTIQUES TECHNIQUES

Dimensions	104 x 75 x 34 mm (H x L x P) 4,10 x 2,96 x 1,32 pouces (H x L x P)
Alimentation électrique	15 VDC ou Power over Ethernet (Norme PoE IEEE 802.3 af ou supérieure) Switch PoE, injecteur PoE ou module d'alimentation électrique non fourni
Consommation électrique	1 W
Environnement de fonctionnement	0 à +55 °C/32 à 131 °F Humidité relative 0 % à 85 % (sans condensation)
Classe de protection	IP 30
Fixation	• Rail oméga/rail DIN • Fixation murale
Conformités	CE, FCC, IC, RoHS, WEEE, UKCA
Connecteurs et interfaces	2x ports RJ45 (10/100 Base-T) • E/S ROUTEUR RÉSEAU • E/S INTERCOM LAN/Entrée POE 1x Connecteur à visser • Entrée 15 VDC (-/+)
Affichage	Écran d'état LCD • Rétroéclairé (bleu) • Écran d'état réseau DIODE TÉMOIN D'ALIMENTATION « PWR »

Fonctionnalités	Filter de réseau : filtre activement le trafic sur le réseau et bloque les accès non autorisés  Serveur DHCP : serveur DHCP intégré (10.223.x.x), max. 1000 terminaux  Liste blanche IP : partage d'adresses IP ou de domaines, par exemple pour les fonctions de contrôle Smart Home
Configuration requise	Terminal mobile : iOS à jour sur iPhone/iPad, Android à jour sur smartphone/tablette Internet : Connexion Internet par ligne terrestre haut débit, DSL, câble ou fibre optique, pas de serveur SOCKS ou proxy Réseau : Ethernet avec DHCP  Compatible avec tous les interphones vidéo sur IP DoorBird et les appareils périphériques DoorBird
Contenu de la livraison	1 x Pare-feu Internet A1051 1 x Manuel d'installation 1 x Guide de démarrage rapide avec passport numérique 1 x Visserie et petites pièces
Poids	155 g
EAN	4260423872103
Accessoires recommandés	Alimentation électrique (Code GTIN/EAN : 4260423867314, Réf. : 423867314)

## MENTIONS LÉGALES

### Généralités

1. DoorBird est une marque déposée de Bird Home Automation GmbH.
2. Apple, le logo Apple, Mac, Mac OS, Macintosh, iPad, Multi-Touch, iOS, iPhone et iPod touch sont des marques commerciales d'Apple Inc.
3. Google, Android et Google Play sont des marques commerciales de Google, Inc.
4. La marque verbale et les logos Bluetooth® sont des marques commerciales de Bluetooth SIG, Inc.
5. Tous les autres noms d'entreprises et de produits peuvent être des marques commerciales de leurs détenteurs respectifs, avec lesquels elles ont été associées.
6. Nous nous réservons le droit d'apporter des modifications à nos produits lorsque celles-ci participent au progrès technique. Dans le sillage des évolutions techniques permanentes, les produits représentés peuvent également différer visuellement des produits livrés.
7. Toutes les reproductions et tous les transferts de textes, d'illustrations et de photos issus de ce mode d'emploi, sur tout type de support, en tout ou en partie, sont exclusivement autorisés moyennant notre consentement exprès écrit.
8. La création de ce manuel d'installation est protégée par les droits d'auteur. Nous déclinons toute responsabilité pour d'éventuelles erreurs, aussi bien de contenu que de typographie (également dans les données techniques ou au sein des graphiques et schémas techniques).
9. Nos produits sont conformes aux directives techniques, aux prescriptions en matière électrique et de télécommunications en vigueur en Allemagne, dans l'Union européenne et aux États-Unis.
10. Nos produits ainsi que les composants qu'ils contiennent (circuits intégrés, logiciels, etc.) ne peuvent être utilisés qu'à des fins civiles et non militaires.

### Protection et sécurité des données

1. Pour une sécurité maximale, l'appareil utilise les mêmes techniques de cryptage que la banque en ligne. Pour votre sécurité, nous ne faisons pas appel aux redirections de ports ni au service DynDNS
2. L'emplacement du centre de données pour l'accès à distance via internet au moyen d'une application se trouve obligatoirement sur le territoire de l'Union européenne si l'adresse IP déterminée de l'appareil se trouve dans l'Union européenne. Le centre de données est exploité conformément aux normes de sécurité les plus strictes.
3. Les méthodes de surveillance vidéo, audio et autres peuvent être réglementées par des lois qui varient d'un pays à l'autre. Vérifiez les lois en vigueur dans votre région avant d'installer et d'utiliser cet appareil de surveillance.

Quand il s'agit d'un appareil du type interphone vidéo, moniteur intérieur ou caméra :

- Dans de nombreux pays, les images vidéo et la voix ne peuvent être transférées que lorsqu'un visiteur a sonné à la porte (protection des données, configuration possible dans l'application)
- Exécutez le montage de sorte que le champ de détection de la caméra se limite exclusivement à la zone d'entrée directe.
- L'appareil dispose, le cas échéant, d'un historique intégré des visites et d'un capteur de mouvements. Si nécessaire, vous pouvez activer et désactiver ces fonctions.

Si nécessaire, signalez la présence de l'appareil à l'endroit adéquat et de la manière adéquate.

Veillez respecter les dispositions légales spécifiques à chaque pays concernant l'utilisation des composants et caméras de surveillance applicables sur le site d'installation. Veuillez vérifier auprès du propriétaire et de votre Syndic si vous êtes autorisé à installer et utiliser ce produit. Bird Home Automation GmbH décline toute responsabilité en cas de mauvaise utilisation ou de mauvaise configuration de ce produit, y compris dans le cas de l'ouverture non autorisée d'une porte.

Bird Home Automation ne peut être tenu responsable des dommages causés par une ancienne et mauvaise installation ou une installation incorrecte.

Les mises à jour du logiciel ou du système d'exploitation (appelées „mises à jour du firmware“) sont normalement installées

automatiquement sur les produits de Bird Home Automation GmbH via internet, si cela est techniquement possible. Les mises à jour automatiques du firmware maintiennent les logiciels des produits actualisés afin que ceux-ci fonctionnent toujours de manière fiable, sûre et efficace. Grâce aux améliorations continues, des fonctions peuvent être ajoutées, étendues ou légèrement modifiées au fil du temps. Des modifications ou limitations importantes des fonctions existantes ne se produisent normalement que lorsque Bird Home Automation GmbH le juge nécessaire (par ex. en raison de la protection des données, de la sécurité, de la stabilité des données ou encore, afin de tenir celles-ci à jour). Lorsqu'une mise à jour du firmware est disponible, les serveurs de Bird Home Automation GmbH la distribuent en général automatiquement à tous les produits compatibles connectés à internet ou aux serveurs de Bird Home Automation GmbH. Ce processus est graduel et peut prendre plusieurs semaines. Dès qu'un produit reçoit une mise à jour du firmware, le système s'installe et redémarre généralement par lui-même. Les mises à jour du firmware installées ne peuvent pas être annulées. Etant donné que les produits et logiciels de Bird Home Automation GmbH ne sont pas explicitement des produits réservés au client, celui-ci ne peut pas refuser une mise à jour automatique si le produit est connecté à internet ou au serveur de Bird Home Automation GmbH.

### Éditeur

Bird Home Automation GmbH  
Uhländstraße 165  
10719 Berlin  
Allemagne

Web: [www.doorbird.com](http://www.doorbird.com)  
Email: [hello@doorbird.com](mailto:hello@doorbird.com)



## MANUAL DE INSTALACIÓN

Lee estas instrucciones detenidamente antes de empezar a usar cualquiera de los componentes. Guárdalo a buen recaudo para poder consultarlo más adelante en caso necesario. Si le das el aparato a otra persona para que lo use, entrégale también el manual de uso.

En [www.doorbird.com/support](http://www.doorbird.com/support) siempre encontrarás la última versión del manual de instalación. Para simplificar la lectura, utilizaremos el término aparato para referirnos al producto «Cortafuegos de internet A1051» y dispositivo móvil para hablar de un smartphone o tableta.

### Responsabilidad

Este documento se ha redactado con sumo cuidado. Si detectas imprecisiones u omisiones, notifícaselas a Bird Home Automation GmbH. Bird Home Automation GmbH no se hace responsable de ningún error técnico o tipográfico y se reserva el derecho de realizar cambios en el producto y los manuales sin previo aviso. Bird Home Automation GmbH no ofrece ningún tipo de garantía en relación con el contenido de este documento, incluidas, entre otras, las garantías implícitas de comerciabilidad e idoneidad para una finalidad concreta. Bird Home Automation GmbH no se hace responsable de los daños fortuitos o consiguientes en relación con el suministro, el rendimiento o el uso de este material. Este producto solo debe utilizarse para su uso previsto.

### Modificaciones en el equipo

Este equipo debe instalarse y usarse exactamente como se indica en las instrucciones de esta documentación. Este equipo no contiene componentes que requieran mantenimiento por parte del usuario. Los cambios o modificaciones no autorizados en el equipo anularán cualquier certificado y autorización reglamentarios aplicables.

### Símbolos utilizados



**Peligro:** Indica una situación peligrosa que, si no se evita, causará la muerte o lesiones graves.



**Advertencia:** Indica una situación peligrosa que, si no se evita, podría causar la muerte o lesiones graves.



**Precaución:** Indica una situación peligrosa que, si no se evita, puede resultar en lesiones leves o moderadas.



**Aviso:** Indica una situación que, si no se evita, podría resultar en daños a la propiedad.



**Importante:** Indica información importante y esencial para que el producto funcione correctamente.



**Nota:** Indica información útil que ayuda a sacar el máximo provecho del producto.

### Información sobre los peligros



#### ADVERTENCIA

- Los trabajos de montaje, instalación y mantenimiento de los dispositivos eléctricos sólo pueden ser realizados por un electricista cualificado. El incumplimiento de esta puede suponer un riesgo de daños graves para la salud o de lesiones mortales debido a una descarga eléctrica.
- Aparatos con conexión de 110-240 V: El aparato sólo puede conectarse a una toma de corriente de fácil acceso. El adaptador de red debe ser sacado si se produce un peligro.
- Para la alimentación, utilice únicamente el adaptador de red original suministrado con el aparato, fuentes de alimentación de carril DIN disponibles por separado o un conmutador PoE/injector PoE recomendado, tal y como se recomendados en este manual.
- Debido a la carga electrostática, el contacto directo con la placa de circuitos puede provocar la destrucción del dispositivo. Por lo tanto, debe evitarse en todo momento el contacto directo con la placa de circuitos.
- Respete las normas EN 60065 y EN 60950 y EN 62368.
- No utilice el aparato si hay signos de daños en la carcasa, los elementos de control o las tomas de corriente, por ejemplo, o si muestra un mal funcionamiento. Si tiene alguna duda, haga revisar el aparato por un experto autorizado.
- No abra el aparato. Esto anula la garantía del aparato. El aparato no contiene ninguna partes que puedan ser mantenidas por el usuario. En el caso de que se produzca un error, haga que el aparato revisado por un experto autorizado.
- Por razones de seguridad, aprobación y licencia (CE/FCC/IC, etc.), no se permite el cambio y/o modificación no autorizada del dispositivo.
- El aparato no es un juguete: no permita que los bebés y los niños jueguen con él.
- Para evitar el peligro de asfixia, mantenga los materiales de embalaje lejos de los bebés y los niños. Las películas/bolsas de plástico, los trozos de poliestireno, etc. no son un juguete y pueden ser peligrosos en manos de un niño. Elimine los materiales de embalaje inmediatamente después de retirar el producto. No reutilice los materiales de embalaje.
- Coloque siempre los cables de tal manera

que no se conviertan en un riesgo para las personas y los animales domésticos.

- El voltaje se aplica a las piezas dentro del equipo. No toque ninguna pieza que no esté asociada con la instalación, cableado o conexión, ya que podría resultar en una descarga eléctrica.
- En aparatos que no estén marcados como resistentes a la intemperie: mantenga el aparato lejos del agua o de cualquier otro líquido.
- No instale ni realice ninguna terminación de cable mientras la fuente de alimentación esté conectada a la red. Puede causar un choque eléctrico o dañar el aparato.
- Antes de conectar la alimentación, asegúrese de que los cables no estén cruzados o en cortocircuito, para evitar el riesgo de incendio o choque eléctrico.
- El alto voltaje puede estar presente internamente. No abra el dispositivo, podría resultar en una descarga eléctrica.
- El aparato no es a prueba de explosión. No lo instale ni utilice cerca de gases o materiales inflamables, podría producirse un incendio o una explosión.
- No instale dos fuentes de alimentación en paralelo a una sola entrada, podría producirse un incendio o daños en el dispositivo. Asegúrese de conectar una sola fuente de alimentación al aparato.
- No conecte ningún terminal del dispositivo a una línea de alimentación de AC, ya que podría producirse un incendio o una descarga eléctrica.
- Evite oprimir o estropear el cable de AC. Si el cable de AC está fracturado, podría producirse un incendio o una descarga eléctrica.
- No conecte o desenchufe el aparato con las manos mojadas, ya que podría resultar en una descarga eléctrica.
- No introduzca metal o material inflamable en el dispositivo, podría ocasionar un incendio, una descarga eléctrica o problemas con el aparato.
- El cableado existente, como el cableado de timbre, etc., puede contener electricidad AC de alto voltaje, esto podría ocasionar daños en el dispositivo o descargas eléctricas. El cableado y la instalación deben ser realizados por un electricista cualificado.
- Cuando monte el aparato en una pared o techo, instale el dispositivo en un lugar adecuado, evite lugares donde pueda ser golpeado, podría ocasionar lesiones.
- En los aparatos con terminales a tierra, conéctelos a tierra, de lo contrario, podría producirse un incendio o una avería.
- En los aparatos con vidrio acrílico o verdadero, no ejerza presión sobre este material, si se fracturara podría ocasionar lesiones.

- En los aparatos con LCD, si la pantalla LCD está perforada, evite el contacto con el cristal líquido del interior, podría ocasionar lesiones. En caso de accidente haga gárgaras, enjuague la boca, ojos o piel con abundante agua durante al menos 15 minutos y consulte a su médico.
- No coloque nada sobre el aparato ni lo cubra con un paño, silicona, pegamento, recubrimiento, cubiertas separadas, etc., podría ocasionar un incendio o problemas con el dispositivo.
- No instale el aparato en ninguna de las siguientes ubicaciones, podría ocasionar un incendio, una descarga eléctrica o problemas con el dispositivo.
- Lugares bajo luz solar directa o lugares cercanos a equipos de calefacción que varían en temperatura.
- Lugares sujetos a polvo, aceite, productos químicos, sulfuro de hidrógeno (muelles calientes).
- Lugares sujetos a condiciones extremas de humedad, como baños, bodegas, invernaderos, etc.
- Lugares donde la temperatura es muy baja, como el interior de un área refrigerada o frente a un aire acondicionado.
- Lugares sujetos a vapor o humo (p. ej., cerca de superficies de calefacción o cocción).
- Cerca de los dispositivos generadores de ruido, como los interruptores de regulación de intensidad o los aparatos eléctricos inversores.
- Lugares sujetos a vibraciones o impactos frecuentes.
- En los aparatos con intercomunicador, asegúrese de realizar una prueba de llamadas con bajo volumen de audio en ambos dispositivos de intercomunicación. Una llamada repentina, etc. podría sonar causando, por ejemplo, daños en su oído.
- Si el aparato no funciona correctamente, desenchufe la fuente de alimentación.
- Todos los dispositivos que no están marcados como a prueba de la intemperie están diseñados para uso en interiores exclusivamente. No lo use al aire libre.
- En aparatos marcados a prueba de intemperie: No rocíe con agua a alta presión. Pueden surgir problemas con el dispositivo.
- No asumimos ninguna responsabilidad por daños materiales o personales

#### Instrucciones de seguridad



- El aparato debe utilizarse de acuerdo con las leyes y normativas locales.
- Guarde el aparato en un lugar seco y ventilado.
- Evite exponer el aparato a golpes o presiones

elevadas.

- No instale el aparato en soportes, superficies o paredes inestables. Asegúrese de que el material sea lo suficientemente fuerte como para soportar el peso del dispositivo.
- Utilice únicamente las herramientas correspondientes cuando instale el dispositivo. El uso de una fuerza excesiva con las herramientas podría dañar el aparato.
- No utilice productos químicos, agentes cáusticos o limpiadores en aerosol.
- Utilice un paño limpio y seco para la limpieza.
- Utilice únicamente accesorios que cumplan las especificaciones técnicas del aparato. Estos pueden ser proporcionados por Bird Home Automation GmbH.
- Utilice sólo piezas de repuesto suministradas o recomendadas por Bird Home Automation GmbH.
- No intente reparar el aparato por su cuenta, contacte a Bird Home Automation GmbH para asuntos de servicio técnico.
- Mantenga el aparato a más de 1 m (3.3') de distancia del microondas, radio, TV, enrutador inalámbrico y cualquier otro dispositivo inalámbrico.
- En los aparatos con intercomunicador, altavoz incorporado o micrófono incorporado o funciones de transmisión de señales, mantenga los cables a más de 30 cm (12") alejados del cableado de AC 100-240 V, podría producirse ruido inducido por la AC y/o mal funcionamiento del dispositivo.
- Instale el aparato en un área accesible para futuras inspecciones, reparaciones y mantenimiento.
- Si el aparato se usa cerca de un teléfono móvil, es posible que funcione mal.
- El aparato puede dañarse si se cae, manipular con cuidado.
- El aparato se vuelve inoperante durante un corte de corriente eléctrica.
- En los aparatos con intercomunicador, altavoz incorporado o micrófono incorporado, en áreas donde las antenas de estaciones de radiodifusión celular o de radio/televisión están cerca, el dispositivo puede verse afectado por interferencias de radiofrecuencia.
- En los aparatos con pantalla LCD, hay que tener en cuenta de antemano que el panel LCD, aunque fabricado con técnicas de muy alta precisión, tendrá inevitablemente una pequeña parte de sus elementos de imagen siempre iluminados o no iluminados. Esto no se considera un mal funcionamiento del dispositivo.
- En los aparatos con intercomunicador, debido al sonido ambiental alrededor del dispositivo, puede dificultar levemente la comunicación, pero esto no es un mal funcionamiento.
- En los aparatos con nombre de usuario/

contraseña, el usuario/contraseña para acceder al dispositivo es responsabilidad del cliente. Asegúrese de usar una contraseña que no pueda ser fácilmente descifrada por un tercero. Le recomendamos que cambie la contraseña regularmente.

- En ningún caso seremos responsables de los daños que se produzcan debido a fallos en el suministro eléctrico, equipos de red o dispositivos terminales; fallos debidos a proveedores de Internet y proveedores de redes móviles; fallos tales como líneas desconectadas y otras pérdidas en la comunicación, lo que imposibilita la prestación de este servicio, así como en modo alguno retrasar este servicio debido a cualquier otra causa ajena a nuestra responsabilidad; o si se produce un error o falta de datos durante la transmisión.

#### Precaución de FCC:

Cualquier cambio o modificación no aprobada expresamente por la parte responsable del cumplimiento podría anular la autoridad del usuario para operar el equipo. Este dispositivo cumple con la parte 15 de las Reglas de la FCC. El funcionamiento está sujeto a las dos condiciones siguientes: (1) este dispositivo no puede causar interferencias perjudiciales y (2) este dispositivo debe aceptar cualquier interferencia recibida, incluidas aquellas que puedan causar un funcionamiento no deseado.

Nota: Este equipo ha sido probado y cumple con los límites para un dispositivo digital de Clase B, de conformidad con la parte 15 de las Reglas de la FCC. Estos límites están diseñados para proporcionar una protección razonable contra interferencias perjudiciales en una instalación residencial. Este equipo genera, utiliza y puede irradiar energía de radiofrecuencia y, si no se instala y utiliza de acuerdo con las instrucciones, puede causar interferencias perjudiciales en las comunicaciones de radio. Sin embargo, no hay garantía de que no se produzcan interferencias en una instalación en particular. Si este equipo causa interferencias perjudiciales en la recepción de radio o televisión, lo que se puede determinar apagando y encendiendo el equipo, se recomienda al usuario que intente corregir la interferencia mediante una o más de las siguientes medidas:

- Reorientar o reubicar la antena receptora.
- Aumente la separación entre el equipo y el receptor.
- Conecte el equipo a una toma de corriente en un circuito diferente al que está conectado el receptor.
- Consulte al distribuidor o a un técnico experimentado de radio / TV para obtener ayuda.

Este equipo cumple con los límites de exposición a la radiación de la FCC establecidos para un

entorno no controlado. Este transmisor no debe colocarse ni funcionar junto con ninguna otra antena o transmisor.

#### **Declaración IC**

**ES:** Este dispositivo cumple la(s) norma(s) RSS exenta(s) de licencia de Industry Canada. Su funcionamiento está sujeto a las dos condiciones siguientes

(1) este dispositivo no puede causar interferencias, y

(2) este dispositivo debe aceptar cualquier interferencia, incluidas las interferencias que puedan causar un funcionamiento no deseado del dispositivo.

Este aparato digital de Clase B cumple la norma canadiense ICES-003.

Exposición a la radiación IC: Este equipo cumple con los límites de exposición a la radiación ISEDC definidos para un entorno controlado. Este transmisor no debe colocarse ni utilizarse junto con ninguna otra antena o transmisor.



#### **Informaciones sobre la eliminación de desechos para los usuarios de aparatos eléctricos y electrónicos (aparatos domésticos)**

Este símbolo, colocado sobre los productos y/o sobre los documentos que acompañan los productos, significa que los productos eléctricos o electrónicos usados no deben ser desechados en la basura doméstica. Para que estos productos sean tratados, recuperados y reciclados debidamente, por favor llévelos a los lugares de recolección designados donde podrá entregarlos gratuitamente. De forma alternativa, en algunos países es posible devolver los productos a los distribuidores locales al comprar un producto nuevo equivalente. Con la eliminación correcta del producto, usted está contribuyendo a conservar recursos valiosos y a prevenir cualquier posible efecto negativo para la salud humana y el medio ambiente que podría surgir en el caso contrario. Por favor póngase en contacto con su autoridad local para saber donde se encuentra el punto de recolección más cercano. En caso de una eliminación incorrecta de estos desechos se podrán aplicar sanciones, de acuerdo con la legislación nacional.

#### **Transporte**



Cuando transporte el aparato, utilice el embalaje original o un embalaje equivalente para evitar daños en el dispositivo.

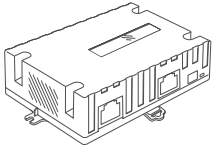
#### **Información de garantía**

Para obtener información sobre la garantía del dispositivo, consulte [www.doorbird.com/warranty](http://www.doorbird.com/warranty)

#### **Informaciones sobre la eliminación de desechos en los países que no forman parte de la Unión Europea**

Este símbolo solamente es válido dentro de la Unión Europea. Para eliminar este producto, póngase por favor en contacto con su autoridad local o con su distribuidor para informarse sobre el método correcto de eliminación.

## COMPONENTES\*



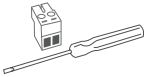
1x Cortafuegos de internet A1051



1x Manual de instalación



1x Guía de inicio rápido con pasaporte digital



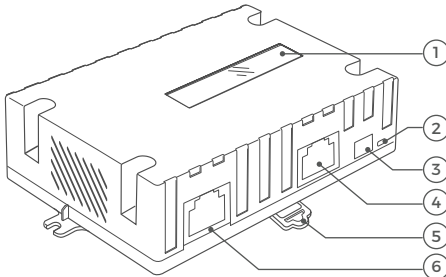
1x Conector terminal de tornillo y destornillador



2x tornillos Phillips de cabeza avellanada y tacos

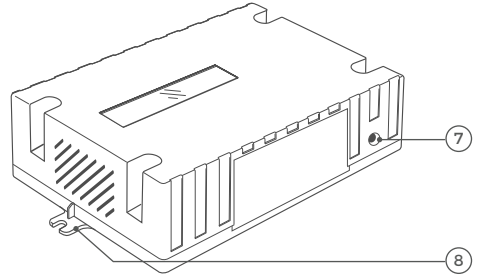
## APARATO

### Parte delantera



- 1) Pantalla de estado LCD  
Pantalla LCD retroiluminada azul para estado y análisis rápido de errores
- 2) Led PWR  
Led de encendido y diagnóstico para mostrar el estado actual del aparato
- 3) Fuente de alimentación 15VDC +/-  
Conector terminal de tornillo para conectar una fuente de alimentación de DoorBird (disponible por separado) al aparato como alternativa a PoE
- 4) TO/FROM INTERCOM LAN/POE IN  
Jack RJ45 para conectar un cable de red (cat. 5 o superior) con el segmento de red que está conectado a los aparatos IP de DoorBird. Usa este puerto para alimentar el aparato con PoE como alternativa a la fuente de alimentación.

### Parte trasera



- 5) Conector de carril DIN  
Conexión para clip de carril DIN para montaje en carril DIN
- 6) TO/FROM ROUTER LAN  
Jack RJ45 para conectar un cable de red (cat. 5 o superior) con el segmento de red que está conectado al switch/rúter que proporciona una conexión a internet activa
- 7) Botón de ajuste SET  
Botón para ajustar el aparato a otros modos de configuración, p. ej., para restablecer los ajustes de fábrica del aparato.
- 8) Soportes de montaje mural  
Soporte para montaje en la pared, tornillos y tacos incluidos

## VÍDEOS

¿Necesitas ayuda con la instalación? Echa un vistazo a nuestros videos de instalación en <http://www.doorbird.com/support>

## INSTALACIÓN

Todos los pasos que se describen a continuación debe llevarlos a cabo un adulto capacitado con el debido cuidado y respetando todas las normas de seguridad aplicables. Ponte en contacto con nosotros directamente si necesitas ayuda de un especialista.



Asegúrate de que todos los cables que utilices para la instalación estén intactos en toda su longitud y estén homologados para este tipo de uso.

1

### DESCONEXIÓN



Desconecta la alimentación de todos los cables que conduzcan a la ubicación de montaje, es decir, el timbre de la puerta, el sistema de apertura de puertas eléctrico, la fuente de alimentación del videoportero, etc.

3

### MONTAJE

El aparato se puede montar en la pared con el soporte de montaje mural, los tornillos y los tacos incluidos o bien en un carril DIN con el adaptador para carril DIN que viene con el aparato.

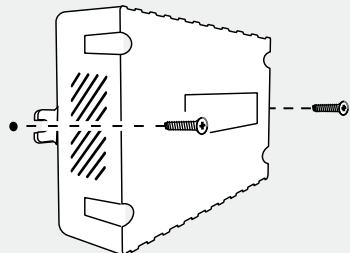
#### Opción 1

#### MONTAJE MURAL



Asegúrate de no dar con ningún objeto (p. ej., cables) cuando hagas los taladros.

Si la pared de la casa no es de madera, realiza taladros para los tacos de 5 mm de diámetro en la pared y, a continuación, inserta los tacos en los orificios. Si la pared de la casa es de madera, normalmente no necesitarás tacos. Hay tacos especiales para montar el aparato en una pared aislante, como, p. ej., los tacos aislantes de Fischer. Pregunta al fabricante de tu material aislante qué tacos te recomienda.



#### Velocidad y componentes de red

Asegúrate de que la velocidad de carga de tu conexión a internet sea como mínimo de 0,5 Mbits/s. La experiencia de usuario será tan buena como sean la velocidad y la estabilidad de la red, así como la calidad de los componentes de red, como el rúter de internet y los puntos de acceso o repetidores wifi. Así pues, asegúrate de que tus componentes no tengan una antigüedad superior a dos años, sean de un fabricante de renombre y tengan instalado el firmware más reciente.

Si no se cumplen estos requisitos, es posible que, por ejemplo, el rendimiento del sonido o el vídeo sea bajo o las notificaciones push se retrasen o ni siquiera lleguen a tu smartphone o tableta.

#### Requisitos:

Internet de alta velocidad (línea fija): DSL, cable o fibra óptica

Red: Ethernet con DHCP

2

### ELECCIÓN DE LA UBICACIÓN DE MONTAJE



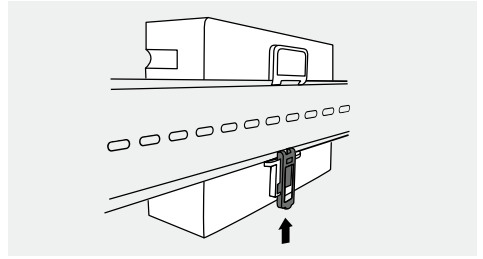
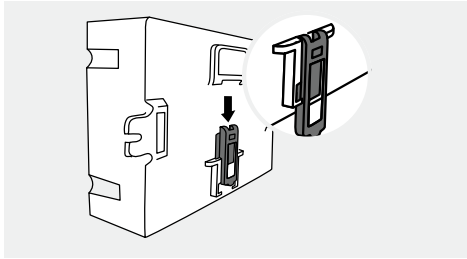
El aparato cuenta con el certificado IP30 (no resistente al agua). Si lo quieres utilizar al aire libre, deberás protegerlo con una carcasa apropiada.

El cable de red entre el aparato y el switch PoE, el inyector PoE o el rúter de internet no debe tener una longitud superior a 80 metros/262 pies.

## Opción 2

### MONTAJE EN CARRIL DIN

El aparato se puede montar en un carril DIN. Usa el adaptador para carril DIN que hay en la parte trasera de la unidad.



4

### FUENTE DE ALIMENTACIÓN

El aparato se puede alimentar mediante PoE (Power over Ethernet) o con fuentes de alimentación de DoorBird disponibles aparte (fuente de alimentación con enchufe de pared o fuente de alimentación de carril DIN). El aparato no funciona con batería.



Desconecta todos los demás aparatos DoorBird de la red de la fuente de alimentación antes de poner en marcha el cortafuegos de internet A1051 de DoorBird.



#### Opción 1

### FUENTE DE ALIMENTACIÓN Y CONEXIÓN DE RED VÍA POE (POWER OVER ETHERNET, RECOMENDADO)

Para alimentar el aparato con un switch PoE (p. ej., D-Link DGS-1008P) o un inyector PoE (p. ej., inyector PoE Gigabit A1093 de DoorBird) de conformidad con la norma PoE IEEE 802.3af modo A, se deben usar los cuatro hilos con los números 1, 2, 3 y 6 de un cable cat. 5 o superior. Asegúrate de usar un cable de red de buena calidad de cat. 5 o superior que tenga un apantallamiento apropiado Screened Foiled Twisted Pair [S/FTP o SFTP]), con el apantallamiento conectado al apantallamiento metálico externo del conector RJ45 (8P8C). Si usas PoE como fuente de alimentación, los cuatro hilos para PoE conforman el enlace de datos simultáneamente.

El aparato no arrancará si el switch o inyector PoE no son compatibles con la norma PoE IEEE 802.3af modo A (ver «LED PWR»).



1. Desconecta el switch o inyector PoE de la red eléctrica.
2. Tiende el cable de red hasta el lugar de instalación del aparato.

Aquí encontrarás más información sobre PoE:  
<https://www.doorbird.com/poe>



#### Opción 2

### SUMINISTRO ELÉCTRICO CON UNA FUENTE DE ALIMENTACIÓN (DISPONIBLE EN LA TIENDA DE DOORBIRD)

Para alimentar el aparato con un adaptador de corriente se necesitan dos cables aislados. A continuación, la conexión de red se establece con un cable de red. En nuestra tienda de internet se venden fuentes de alimentación:  
<https://www.doorbird.com/shop/>



No enchufes la fuente de alimentación a la toma de corriente todavía. Usa únicamente la fuente de alimentación que viene con el aparato o una fuente de alimentación para carril DIN, que puedes comprar en nuestra tienda por separado, ya que estas están eléctricamente estabilizadas específicamente y están equipadas con un dispositivo de reducción de interferencias de sonido integrado. Otras fuentes de alimentación podrían destruir el aparato u ofrecer una calidad de transmisión baja.



### Opción 3

## SUMINISTRO ELÉCTRICO CON UNA FUENTE DE ALIMENTACIÓN PARA CARRIL DIN

En nuestra tienda de internet ofrecemos fuentes de alimentación para carril DIN que puede instalar un especialista. La conexión de red se establece con un cable de red.

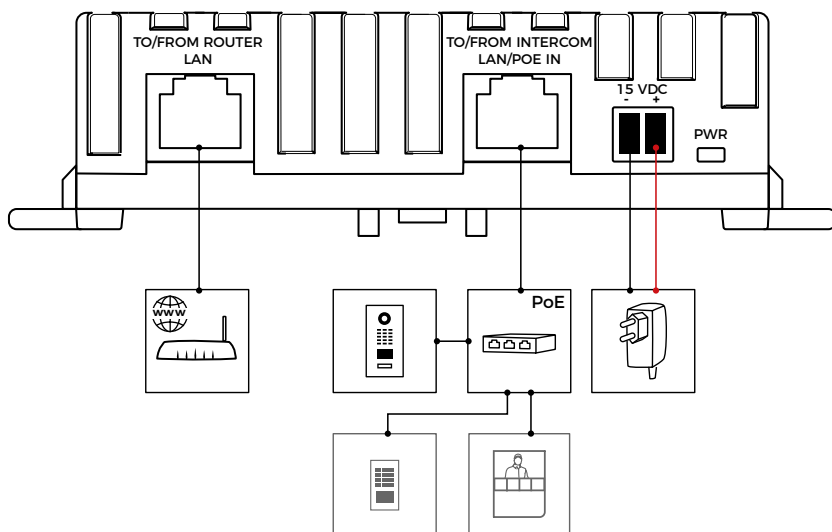
### 5

## CONEXIÓN DEL APARATO

Los cables e hilos se pueden conectar de forma cómoda y segura al aparato mediante el terminal de conexión de tornillo con etiquetas. Ahora ya puedes conectar todos los cables e hilos necesarios al aparato.



Retira todos los cables e hilos de los puertos de conexión del aparato que no necesites.



PUERTO	DESCRIPCIÓN
TO/FROM ROUTER LAN	Jack RJ45 para conectar un cable de red (cat. 5 o superior) con el segmento de red que está conectado al switch/rúter que proporciona una conexión a internet activa
TO/FROM INTERCOM LAN/POE IN	Jack RJ45 para conectar un cable de red (cat. 5 o superior) con el segmento de red que está conectado a los aparatos IP de DoorBird. Usa este puerto para alimentar el aparato con PoE.
15 VDC -	Entrada de fuente de alimentación de 15 V CC, polo negativo (-). Conecta el cable negro de la fuente de alimentación (adaptador de corriente) aquí si no vas a alimentar el aparato con PoE.  <b>NOTICE</b> No alimentes el aparato a través del suministro eléctrico de la fuente de alimentación (adaptador de corriente) y la fuente de alimentación vía PoE al mismo tiempo.
15 VDC +	Entrada de fuente de alimentación de 15 V CC, polo positivo (+). Conecta el cable rojo de la fuente de alimentación (adaptador de corriente) aquí si no vas a alimentar el aparato con PoE.  <b>NOTICE</b> No alimentes el aparato a través del suministro eléctrico de la fuente de alimentación (adaptador de corriente) y la fuente de alimentación vía PoE al mismo tiempo.

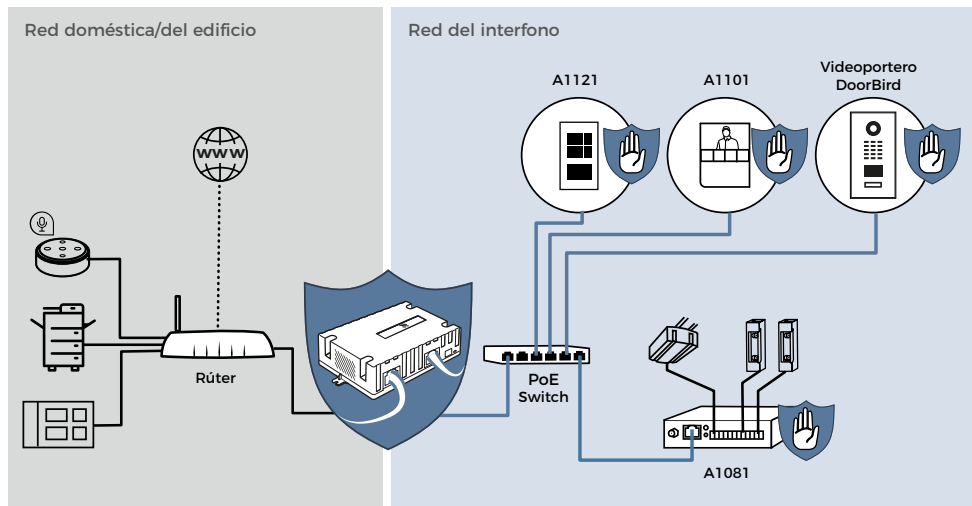




Usa una fuente de alimentación de DoorBird como alternativa a PoE.  
La encontrarás en nuestra tienda de internet (GTIN/EAN: 4260423867314, ref.: 423867314).

## FUNCIONAMIENTO

El cortafuegos de internet A1051 bloquea todo el tráfico que no sea esencial para el funcionamiento del sistema de DoorBird por defecto. Sin embargo, en algunos casos podría ser necesario permitir que los componentes de DoorBird u otros dispositivos (p. ej., otros productos de domótica) se conecten a destinos específicos en el lado «TO/FROM INTERCOM LAN/POE IN» del aparato. Para ello, se pueden agregar ciertas IP o hosts a la lista blanca (whitelist). Consulta más información en el manual de la aplicación (<https://manual.doorbird.com/app>).



Para permitir también una conexión local con un cliente que no forme parte de la red del cortafuegos (p. ej., un dispositivo móvil con la aplicación de DoorBird), se puede activar la función «Enviar dispositivos conectados» en el apartado «Administración» de la aplicación.

## 6

### ACTIVACIÓN DEL APARATO



Desconecta todos los demás aparatos DoorBird de la red de la fuente de alimentación antes de encender el cortafuegos de internet A1051 de DoorBird.

Conecta la alimentación en el lugar de instalación. Si el led PWR no se enciende, inspecciona la fuente de alimentación. Si utilizas una fuente de alimentación de pared y no PoE, comprueba si has conectado los polos positivo y negativo correctamente en el aparato.

En cuanto el cortafuegos de internet A1051 esté completamente operativo, ya se pueden encender los componentes de DoorBird que estén conectados al jack RJ45 «TO/FROM INTERCOM LAN/POE IN». Si ya los habías encendido antes de que el aparato estuviera completamente operativo, reinicialos.



No alimentes el aparato a través del suministro eléctrico de la fuente de alimentación (adaptador de corriente) y la fuente de alimentación vía PoE al mismo tiempo.


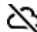

### LED PWR

Puedes comprobar si el aparato está recibiendo corriente comprobando el led PWR. El led PWR se enciende entre 30 y 60 segundos después de que el aparato se haya conectado a la corriente y permanece encendido

durante cinco minutos. Para ver el estado de conexión del aparato, consulta la pantalla de estado de la parte superior. Si el led PWR no se enciende, inspecciona la fuente de alimentación. En el caso de PoE, utiliza un dispositivo PoE compatible (<https://www.doorbird.com/poe>). Si utilizas una fuente de alimentación de pared y no PoE, comprueba si has conectado los polos positivo y negativo correctamente en el aparato.

## PANTALLA DE ESTADO

Puedes comprobar si el aparato está recibiendo corriente comprobando el led de estado en la parte lateral del aparato.

-  TO/FROM ROUTER LAN conectado  
Conexión de internet disponible
-  TO/FROM ROUTER LAN conectado  
Conexión de internet no disponible
-  TO/FROM ROUTER LAN no conectado  
P. ej.: cable de red no conectado

## ESPECIFICACIONES TÉCNICAS

Dimensiones	104 x 75 mm x 34 mm (Al x An x P) 4,10 x 2,96 x 1,32 in (Al x An x P)
Fuente de alimentación	15 V CC o Power over Ethernet (PoE IEEE 802.3af o superior) Switch o inyector PoE o bien fuente de alimentación (no incluida)
Consumo eléctrico	1 W
Condiciones de funcionamiento	De 0 a +55 °C/de 32 a 131 °F Humedad relativa del 0 al 85 % (sin condensación)
Grado de protección	IP30
Montaje	• Carril DIN • Montaje mural
Conformidades	CE, FCC, IC, RoHS, WEEE, UKCA
Conectores e interfaz	2 tomas RJ45 (10/100 Base-T) • TO/FROM ROUTER LAN • TO/FROM INTERCOM LAN/POE IN 1 terminal de tornillo • Entrada de 15 V CC (-/+)
Pantalla	Pantalla de estado LCD • Retroiluminación (azul) • Pantalla de estado de red LED PWR
Características	Lista blanca IP: Autorización de direcciones IP o dominios, p. ej., para funciones de control mediante sistemas de domótica
Requisitos del sistema	Terminal móvil: última versión de iOS en iPhone/iPad, última versión de Android en smartphone/tableta Internet: línea fija de alta velocidad Conexión de internet de banda ancha, DSL, cable o fibra, no SOCKS ni servidor proxy Red: red Ethernet, con DHCP Compatible con todos los videoporteros IP y periféricos de DoorBird
Contenido de la caja	1 cortafuegos de internet A1051 1 manual de instalación 1 guía de inicio rápido con pasaporte digital 1 pieza pequeña
Peso	155 g
EAN	4260423872103
Accesorios recomendados	Fuente de alimentación (GTIN/EAN: 4260423867314, ref.: 423867314)

## NOTAS LEGALES

### Observaciones generales

1. DoorBird es una marca registrada de Bird Home Automation GmbH.
2. Apple, the Apple logo, Mac, Mac OS, Macintosh, iPad, Multi-Touch, iOS, iPhone and iPod touch son marcas registradas de Apple Inc.
3. Google, Android y Google Play son marcas comerciales de Google, Inc.
4. La marca denominativa y los logotipos Bluetooth® son marcas registradas de Bluetooth SIC, Inc.
5. Todos los demás nombres de empresas y productos pueden ser marcas comerciales de las respectivas empresas con que están asociados.
6. Nos reservamos el derecho de hacer cambios en nuestros productos en interés del avance técnico. Los productos mostrados también pueden tener un aspecto diferente a los productos suministrados en base a mejoras continuas.
7. La reproducción o el uso de textos, ilustraciones y fotos de este manual de instrucciones en cualquier medio - aunque sólo sea en forma de extractos - sólo se permite con nuestro consentimiento expreso y por escrito.
8. El diseño de este manual está sujeto a la protección del copyright. No asumimos ninguna responsabilidad por errores o contenidos erróneos o errores de impresión (incluso en el caso de especificaciones técnicas o en gráficos y bocetos técnicos).
9. Nuestros productos cumplen con todas las directrices técnicas, normativas eléctricas y de telecomunicaciones aplicables en Alemania, la UE y los Estados Unidos.
10. Nuestros productos y también los componentes que contienen (circuitos integrados, software, etc.) sólo pueden utilizarse para fines civiles y no militares.

### Privacidad y seguridad de los datos

1. Para máxima seguridad, el dispositivo utiliza las mismas tecnologías de cifrado que se utilizan en línea, banca. Para su seguridad, tampoco se utiliza ningún reenvío de puertos o DynDNS.
2. La ubicación del centro de datos para el acceso remoto a través de Internet por medio de una aplicación es obligatoria en la UE si la dirección IP de Internet determinada del dispositivo se encuentra en la UE. El centro de datos funciona de acuerdo con las normas de seguridad más estrictas.
3. El vídeo, el audio y cualquier otro método de vigilancia pueden ser regulados por leyes que varían de un país a otro. Compruebe las leyes de su región local antes de instalar y utilizar este dispositivo con fines de vigilancia. Si el dispositivo es una puerta, estación interior o cámara fotográfica:
  - En muchos países la señal de vídeo sólo puede ser transmitida una vez que el visitante ha tocado la campana (privacidad de los datos, configurable en la aplicación)
  - Realice el montaje de tal manera que el alcance de detección de la cámara limite el alcance de la cámara exclusivamente a la zona de entrada inmediata.
  - El dispositivo puede venir con un historial de visitas y sensor de movimiento. Puede activar/desactivar esta función si es necesario.

En caso necesario, indíquese la presencia del dispositivo en un lugar adecuado y de forma adecuada.

Observe las disposiciones legales específicas de cada país sobre el uso de componentes de vigilancia y cámaras de vigilancia aplicables en el lugar de instalación.

Por favor, verifique que el propietario y la comunidad de viviendas estén de acuerdo de instalar y usar este producto. Bird Home Automation GmbH no se hace responsable por cualquier uso inapropiado a este producto, incluyendo la apertura no autorizada de una puerta.

Las actualizaciones del software o del sistema operativo (las llamadas „actualizaciones de firmware“) normalmente se instalan automáticamente en los productos de Bird Home Automation GmbH a través de Internet, si es técnicamente posible. Las actualizaciones automáticas de firmware mantienen actualizado el software de los productos para que siempre funcionen de forma fiable, segura y eficiente. Mediante un desarrollo continuo, las funciones pueden añadirse, ampliarse o modificarse ligeramente. Normalmente, sólo se producirán cambios o limitaciones importantes en las funciones existentes si Bird Home Automation GmbH lo considera necesario (por ejemplo, por razones de protección de datos, seguridad,

estabilidad de datos o para mantenerlos actualizados). Cuando se dispone de una actualización del firmware, los servidores de Bird Home Automation GmbH normalmente lo distribuyen automáticamente a todos los productos compatibles conectados a Internet o a los servidores de Bird Home Automation GmbH. Este proceso es gradual y puede durar varias semanas. Tan pronto como un producto recibe una actualización de firmware, se instala y se reinicia el sistema. Las actualizaciones del firmware instalado no se pueden desinstalar. Dado que los productos y el software de Bird Home Automation GmbH no son explícitamente productos específicos del cliente, un cliente no puede negar una actualización automática si el producto está conectado a Internet o al servidor de Bird Home Automation GmbH.

### Editoriales

Bird Home Automation GmbH  
Uhlandstraße 165  
10719 Berlin  
Alemania

Web: [www.doorbird.com](http://www.doorbird.com)  
Email: [hello@doorbird.com](mailto:hello@doorbird.com)

Es posible que estas instrucciones contengan errores tipográficos o problemas de impresión. No obstante, el contenido de estas instrucciones se comprueba de manera periódica y las correcciones se implementan en la siguiente edición. No asumimos ninguna responsabilidad por fallos de carácter técnico o tipográfico y sus consecuencias.

## MANUALE DI INSTALLAZIONE

Prima di utilizzare qualsiasi componente leggere attentamente il presente manuale. Tenere il manuale a portata di mano per eventuali consultazioni future. In caso di cessione del dispositivo a terzi, fornire sempre il manuale operativo a corredo.

L'ultima versione aggiornata del manuale di installazione è sempre disponibile alla pagina [www.doorbird.com/support](http://www.doorbird.com/support)

Per agevolare la lettura del manuale, il termine "dispositivo" di seguito farà riferimento al prodotto "Internet Firewall A1051", mentre "dispositivo mobile" sarà riferito a uno smartphone o tablet.

### Responsabilità

Il presente manuale è stato approntato con la massima cura. Nel caso si rilevino imprecisioni o omissioni invitiamo a contattare Bird Home Automation GmbH. Bird Home Automation GmbH declina ogni responsabilità per eventuali errori tecnici o tipografici, riservandosi inoltre il diritto di apportare modifiche al prodotto o ai manuali senza preavviso. Bird Home Automation GmbH non garantisce in alcun modo per i contenuti del presente manuale né implicitamente, a titolo esemplificativo ma non esaustivo, per la commerciabilità o l'idoneità del dispositivo a determinate applicazioni. Bird Home Automation GmbH non risponde di danni accidentali o conseguenti dovuti all'installazione, alle prestazioni o all'uso del presente materiale. Questo prodotto va utilizzato unicamente in conformità alla destinazione d'uso.

### Modifiche dell'apparecchio

L'apparecchio va installato e utilizzato nel pieno rispetto delle istruzioni fornite nel presente manuale di istruzioni. Questo dispositivo non include componenti che richiedono manutenzione a cura dell'utilizzatore. Eventuali modifiche non autorizzate o la manomissione del dispositivo comportano il decadere di qualsiasi certificazione e omologazione.

### Simboli utilizzati



**Attenzione:** Segnala una situazione di pericolo che, se non evitata, comporta il decesso o comunque lesioni gravi.



**Avvertenza:** Segnala una situazione di pericolo che, se non evitata, può comportare il decesso o comunque lesioni gravi.



**Prudenza:** Segnala una situazione di pericolo che, se non evitata, potrebbe comportare lesioni di lieve o media entità.



**Da tenere in considerazione:** Segnala una situazione di pericolo che, se non evitata, potrebbe comportare lesioni di lieve o media entità.



**Importante:** Segnala importanti informazioni che garantiscono il corretto funzionamento del prodotto.



**Nota:** Segnala informazioni utili volte a un impiego ottimale del dispositivo.

### Indicazioni di pericolo



#### AVVERTENZA

- L'integrazione, il montaggio e i lavori di manutenzione su apparecchi elettrici vanno effettuati a cura di un tecnico qualificato. Il mancato rispetto delle avvertenze potrebbe compromettere gravemente la salute o comportare un pericolo mortale dovuto a scosse elettriche.
- Dispositivi alimentati a 110-240 V: è consentito collegare il dispositivo solo a una presa di rete facilmente accessibile. In caso di pericolo è necessario staccare la spina.
- Per l'alimentazione elettrica del dispositivo utilizzare esclusivamente l'adattatore originale fornito a corredo o uno degli interruttori o iniettori PoE raccomandati nelle istruzioni (sempre che il modello supporti PoE).
- In caso di contatto diretto con il circuito stampato, la carica elettrostatica potrebbe causare la distruzione del dispositivo. Evitare pertanto di sfiorare in qualsiasi momento il circuito stampato.
- Effettuare qualsiasi operazione in conformità alle norme EN 60065, EN 60950 o EN 62368.
- Non utilizzare un dispositivo che presenti palesi danneggiamenti, ad es. in corrispondenza del corpo esterno, degli elementi di comando o delle bussole di collegamento, o anomalie di funzionamento. In caso di dubbi far controllare il dispositivo da un tecnico autorizzato.
- **Importante:** evitare di aprire il dispositivo, in quanto verrebbe meno il diritto alle prestazioni in garanzia! L'azienda declina ogni responsabilità per gli eventuali danni conseguenti. Il dispositivo non contiene parti la cui manutenzione è a cura dell'utilizzatore. In caso di anomalie far controllare il dispositivo da un tecnico autorizzato.
- Per ragioni di sicurezza, omologazioni e licenza (CE/FCC/IC ecc.) è vietato riadattare o modificare il dispositivo in autonomia.
- Questo dispositivo non è un giocattolo! Non deve essere utilizzato dai bambini. Non abbandonare i materiali di imballo incustoditi. Le pellicole o le buste di plastica e i pezzi in



## AVVERTENZA

- polistirolo possono costituire un pericolo per i bambini.
- Il dispositivo non è un giocattolo: non permettere a neonati e bambini di giocare con esso.
  - Per evitare il pericolo di soffocamento, tenere i materiali di imballaggio lontano da neonati e bambini. Pellicole/sacchetti di plastica, pezzi di polistirolo, ecc. non sono un giocattolo e possono essere pericolosi nelle mani di un bambino. Gettare qualsiasi materiale d'imballaggio immediatamente dopo aver rimosso il prodotto. Non riutilizzare i materiali d'imballaggio.
  - Posare i cavi in modo che non costituiscano un pericolo per le persone e gli animali domestici.
  - Alcune parti del dispositivo sono sotto tensione. Evitare pertanto di toccare le parti non interessate dall'installazione, dal cablaggio o dal collegamento, fatto che potrebbe causare scosse elettriche.
  - Tenere i dispositivi contrassegnati come non resistenti alle intemperie al riparo dall'acqua o altri liquidi.
  - Evitare di eseguire installazioni o collegamenti con l'alimentazione elettrica attivata, per prevenire possibili danni al dispositivo o scosse elettriche.
  - Prima di riattivare l'alimentazione elettrica accertarsi che i cavi non siano incrociati o in cortocircuito, fatto che potrebbe causare incendi o scosse elettriche.
  - L'interno del dispositivo potrebbe essere sotto alta tensione. Importante: evitare di aprire il dispositivo, fatto che potrebbe causare scosse elettriche.
  - Il dispositivo non è dotato di protezione antiesplosione. Evitare pertanto di installarlo e utilizzarlo nelle vicinanze di gas o materiali combustibili, fatto che potrebbe causare incendi o esplosioni.
  - Non installare due alimentazioni elettriche in parallelo a un unico ingresso, fatto che potrebbe causare incendi o il danneggiamento del dispositivo. Fare attenzione a collegare al dispositivo un solo adattatore
  - Evitare di collegare direttamente il dispositivo a una presa elettrica, fatto che potrebbe causare incendi o scosse elettriche.
  - Accertarsi che il cavo di rete non sia danneggiato o schiacciato. Un cavo di rete rotto potrebbe causare un incendio o una scarica elettrica.
  - Evitare di collegare o staccare il dispositivo dalla rete con le mani bagnate, fatto che potrebbe causare scosse elettriche.
  - Non introdurre nel dispositivo metalli o materiali combustibili, per evitare fiamme, scosse elettriche o guasti.
  - I cablaggi già realizzati, il cablaggio della suoneria alla porta, ecc. possono presentare corrente alternata ad alta tensione. Si potrebbero verificare danni al dispositivo o scosse elettriche. Il cablaggio e l'installazione devono essere effettuati da un elettricista qualificato.
  - Montaggio del dispositivo a parete o soffitto: evitare l'installazione in luoghi che potrebbero esporre il dispositivo a colpi o urti.
  - I dispositivi provvisti di morsetti di terra vanno collegati a terra; in caso contrario si potrebbero verificare incendi o guasti.
  - Evitare di esercitare eccessiva pressione sui dispositivi che contengono parti in vetro o plexiglass, in quanto l'eventuale rottura potrebbe causare lesioni.
  - Per i dispositivi che integrano un display LCD, in caso di rottura evitare il contatto con i cristalli liquidi, fatto che potrebbe comportare lesioni. All'occorrenza sciacquare bene la bocca, gli occhi o la pelle con acqua corrente per almeno 15 minuti e consultare un medico.
  - Evitare di depositare oggetti sul dispositivo o di coprirlo con panni, silicone, colla, colore, protezioni a parte, ecc., per evitare lo sprigionarsi di fiamma o guasti.
  - Evitare di installare il dispositivo nei luoghi di seguito indicati; in caso contrario sussiste il rischio di incendio, scosse elettriche o guasti.
  - Luoghi esposti alla luce diretta del sole o nelle vicinanze di apparecchi di riscaldamento a temperatura variabile.
  - Luoghi con presenza di polvere, olio, sostanze chimiche, acido solfidrico (sorgenti di acqua calda).
  - Luoghi soggetti a umidità estrema, anche dell'aria, come bagni, cantine, serre, ecc.
  - Luoghi a bassissime temperature come ad es. in aree refrigerate o in prossimità di un climatizzatore.
  - Luoghi esposti a vapore o fumo (ad es. nelle vicinanze di superfici riscaldate o piani cottura).
  - Luoghi nelle immediate vicinanze di dispositivi che generano rumore quali dimmer o elettrodomestici con inverter incorporato.
  - Luoghi esposti a frequenti vibrazioni o urti.
  - Nel caso dei dispositivi con citofono è necessario effettuare un test di chiamata con ambedue i citofoni a basso volume. Infatti, una chiamata improvvisa, inaspettata, ecc. potrebbe danneggiare l'udito.
  - In caso di anomalie di funzionamento staccare la spina del dispositivo dalla presa.
  - I dispositivi contrassegnati come non resistenti alle intemperie sono stati progettati per l'esclusivo uso in interni e non all'aperto.
  - Evitare di nebulizzare con acqua ad alta pressione i dispositivi contrassegnati come non

resistenti alle intemperie, fatto che potrebbe comportare guasti.

- L'azienda declina qualsiasi responsabilità in caso di danni materiali o a persone imputabili a uso non conforme o al mancato rispetto delle avvertenze di sicurezza. In tali casi viene meno il diritto alle prestazioni in garanzia. L'azienda declina ogni responsabilità per eventuali danni conseguenti.

## Istruzioni di sicurezza



- Il dispositivo va utilizzato nel rispetto delle norme di legge vigenti in loco.
- Immagazzinare il dispositivo in un luogo aerato e asciutto.
- Evitare di esporre il dispositivo a urti o eccessiva pressione.
- Evitare di installare il dispositivo su supporti, superfici o pareti instabili. Accertarsi che il materiale su cui si va a installare il dispositivo sia sufficientemente resistente per reggere il peso del dispositivo.
- Per installare il dispositivo servirsi unicamente di utensili idonei. Esercitare una forza eccessiva con gli utensili potrebbe danneggiare il dispositivo.
- Evitare l'uso di detersivi chimici, corrosivi o aerosol.
- Pulire il dispositivo con un panno pulito e asciutto.
- Utilizzare unicamente accessori corrispondenti ai dati tecnici del dispositivo, disponibili presso Bird Home Automation GmbH.
- Utilizzare unicamente ricambi forniti o raccomandati da Bird Home Automation GmbH.
- Non tentare di riparare il dispositivo in autonomia. Per la manutenzione o eventuali riparazioni contattare Bird Home Automation GmbH.
- Tenere il dispositivo a una distanza di oltre 1 m (3,3") da forni a microonde, apparecchi TV, router WiFi e altri apparecchi wireless.
- Nel caso dei dispositivi con citofono, con altoparlante o microfono incorporati o funzione di trasmissione segnale, installare i fili a oltre 30 cm (12") di distanza dal cablaggio da 100-240 V in corrente alternata. In caso contrario si potrebbero verificare rumori e/o disturbi dei dispositivi indotti dalla corrente alternata.
- Installare il dispositivo in una zona accessibile che consenta ispezioni, eventuali riparazioni e interventi di manutenzione futuri.
- Se utilizzato in prossimità di un telefono mobile, sul dispositivo si potrebbero verificare interferenze.

- Se lasciato cadere, il dispositivo potrebbe riportare danni. Maneggiare con cura.
- In assenza di corrente il dispositivo smette di funzionare.
- Nel caso dei dispositivi con citofono o con altoparlante o microfono incorporati, in presenza di antenne di trasmettitori, radio mobili, radio e televisori accesi, il funzionamento potrebbe presentare delle anomalie.
- Nel caso dei dispositivi dotati di schermo LCD si segnala fin d'ora che inevitabilmente su tale schermo, sebbene prodotto utilizzando tecnologie di alta precisione, una minima parte degli elementi immagine non sempre sarà illuminata o non illuminata del tutto. Questo non è da considerarsi un difetto del dispositivo.
- Nel caso dei dispositivi con citofono, i rumori circostanti potrebbero influire sulla comunicazione. Questo non è da considerarsi un malfunzionamento.
- Nel caso dei dispositivi con nome utente/password, l'utente è unico responsabile dell'accesso al dispositivo tramite dette credenziali. Accertarsi di utilizzare una password non troppo semplice da indovinare. Consigliamo di modificare la password a intervalli regolari.
- L'azienda non risponde di qualsivoglia danno dovuto a problemi dell'alimentazione elettrica, di guasti dei dispositivi di rete o dispositivi mobili, del mancato funzionamento causa guasti dei gestori della rete internet o mobile, di guasti dovuti a cavi recisi o disturbati e di altri casi di mancata trasmissione che non consentano l'erogazione del nostro servizio; non si risponde inoltre di qualsiasi altra causa non imputabile alla nostra azienda, né di eventuali errori o dati mancanti in fase di trasmissione.

## Trasporto



Se necessario, il dispositivo va trasportato all'interno della confezione originale o comunque con un imballo atto a prevenire danneggiamenti.

## Garanzia

Per informazioni sulla garanzia invitiamo a consultare la pagina [www.doorbird.com/warranty](http://www.doorbird.com/warranty)



**Informazioni sullo smaltimento di apparecchi elettrici ed elettronici (a uso privato)**

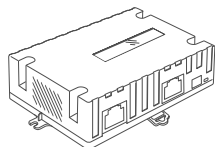
Questo simbolo, riportato sui prodotti o sulla documentazione a corredo, segnala che gli apparecchi elettrici o elettronici non possono essere smaltiti insieme ai comuni rifiuti domestici. Invitiamo a conferire tali prodotti presso gli appositi ecocentri, che li prenderanno in carico gratuitamente provvedendo al corretto smaltimento o riciclo. In alternativa, in alcuni Paesi, a fronte dell'acquisto di un nuovo prodotto equivalente, è possibile rendere al rivenditore di zona

l'apparecchio usato. Lo smaltimento conforme di questo prodotto contribuisce a risparmiare materie prime preziose, evitando gli effetti negativi sulla salute e sull'ambiente causati da uno smaltimento non conforme. Le autorità locali forniscono tutte le informazioni relative all'ecocentro competente più vicino. In funzione delle norme di legge vigenti nel rispettivo Paese, lo smaltimento non conforme di tali rifiuti può comportare l'applicazione di sanzioni.

## Informazioni sullo smaltimento in Paesi al di fuori dell'Unione Europea

Questo simbolo è valido solo nell'Unione Europea. Qualora si desideri gettare questo dispositivo, contattare l'autorità competente o il rivenditore del rispettivo Paese per ottenere informazioni sullo smaltimento conforme.

## COMPONENTI\*



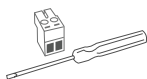
1 Internet Firewall A1051



1 manuale di installazione



1 guida rapida con passaporto digitale



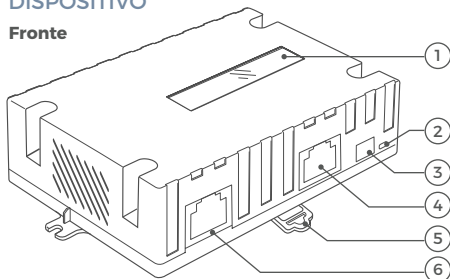
1 morsetto a vite e cacciavite



2 viti Phillips a testa svasata e tasselli

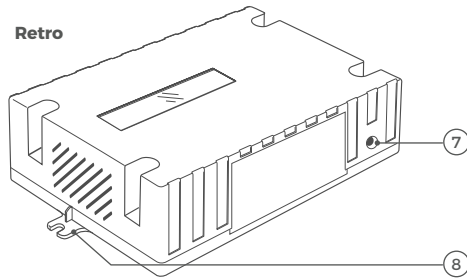
## DISPOSITIVO

### Fronte



- 1) Display LCD per messaggi di stato  
Display LCD blu retroilluminato per messaggi di stato e analisi rapida degli errori
- 2) LED PWR  
LED di alimentazione e diagnostica indicante lo stato corrente del dispositivo.
- 3) Alimentazione 15VDC +/-  
Morsetto a vite per collegare un alimentatore DoorBird (acquistabile a parte) al dispositivo in alternativa a PoE.
- 4) TO/FROM INTERCOM LAN/POE IN  
Jack RJ45 per collegare un cavo di rete (cat.5 o superiore) al segmento di rete collegato ai dispositivi DoorBird IP. Utilizzare questa porta per alimentare il dispositivo via PoE in alternativa all'alimentatore.

### Retro



- 5) Connettore per guida DIN  
Collegamento per la clip di montaggio della guida DIN
- 6) TO/FROM ROUTER LAN  
Jack RJ45 per collegare un cavo di rete (cat.5 o superiore) a un segmento di rete connesso allo switch/router che fornisce una connessione internet attiva.
- 7) SET pulsante di settaggio  
Pulsante per impostare il dispositivo in diverse modalità di configurazione, ad es. per ripristinare le impostazioni di fabbrica.
- 8) Staffa per montaggio a muro  
Supporto per montaggio a muro. Viti e tasselli sono forniti in dotazione.

## VIDEO

Serve aiuto per l'installazione? È possibile consultare i nostri video di installazione alla pagina <http://www.doorbird.com/support>

## INSTALLAZIONE

I passaggi di seguito indicati vanno eseguiti da un adulto esperto, nel pieno rispetto delle norme di sicurezza applicabili. Invitiamo a contattare direttamente la nostra azienda o a chiedere supporto a uno specialista.



Accertarsi che tutti i fili utilizzati per l'installazione siano intatti sull'intera lunghezza e omologati per questo tipo di applicazione.

1

### DISATTIVAZIONE DELL'ALIMENTAZIONE



Disattivare l'alimentazione di tutti i cavi che conducono alla sede di assemblaggio, come ad esempio il campanello della porta, l'apriporta elettrico, l'alimentatore per il videocitofono, ecc.

3

### MONTAGGIO DEL DISPOSITIVO

Per il montaggio a muro utilizzare l'apposita staffa, le viti e i tasselli forniti a corredo oppure la guida DIN con relativo adattatore in dotazione.

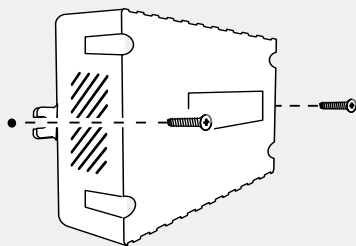
Opzione 1

#### MONTAGGIO A MURO



Nel predisporre i fori fare attenzione a non urtare elementi già presenti (ad es. cavi).

Se il muro dell'edificio non è in legno, predisporre fori per tasselli di 5 mm di diametro e a seguire inserire i tasselli forniti a corredo. Se invece il muro è in legno i tasselli solitamente non servono. Esistono speciali tasselli per fissare il dispositivo su muri isolanti, tra cui i tasselli isolanti Fischer. Contattare il produttore del rispettivo materiale isolante per ricevere indicazioni sui tasselli da utilizzare.



### Velocità di rete e componenti di rete

Verificare che la velocità di upload della connessione Internet sia pari ad almeno 0,5 Mbps. L'esperienza più o meno positiva dell'utilizzatore è direttamente proporzionale alla velocità, stabilità e qualità dei componenti di rete, tra cui il router, i punti di accesso e i ripetitori WiFi. Accertarsi inoltre che i componenti di rete risalgano non oltre a due anni precedenti, siano prodotti da un'azienda rinomata e dotati del firmware più recente.

Nel caso tali requisiti non siano soddisfatti, potrebbero verificarsi scarse prestazioni audio o video e ritardi o totale assenza delle notifiche push su smartphone o tablet.

#### Requisiti:

Internet ad alta velocità (via linea fissa): ADSL, cavo o fibra ottica

Rete: Ethernet con DHCP

2

### INDIVIDUAZIONE DELLA SEDE DI MONTAGGIO



Il dispositivo è certificato IP30 (non impermeabile). Se si prevede di utilizzare il dispositivo all'esterno, predisporre per l'installazione un alloggiamento idoneo.

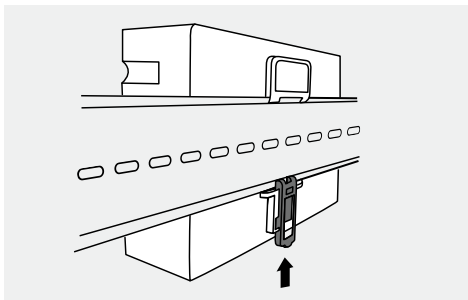
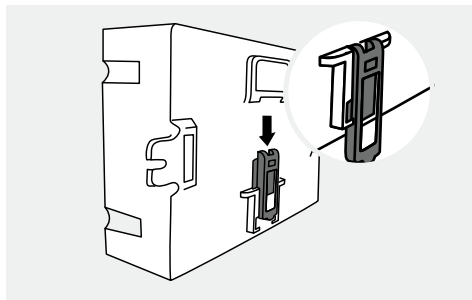
La lunghezza massima del cavo di rete posto tra dispositivo e switch/iniettore Poe/router di Internet è di 80 metri/262 piedi.



## Opzione 2

### MONTAGGIO SU GUIDA DIN

È possibile montare il dispositivo su una guida DIN. A tale scopo fissare l'apposito adattatore sul retro del dispositivo.



## 4

### ALIMENTAZIONE ELETTRICA

È possibile alimentare il dispositivo via PoE (Power over Ethernet) o con alimentatori DoorBird acquistabili a parte (alimentatore per fissaggio a muro o guida DIN). Il dispositivo non necessita di alimentazione a batteria.



Prima di mettere in servizio il dispositivo Internet Firewall A1051 DoorBird disattivare l'alimentazione dei restanti dispositivi DoorBird in rete.

#### Opzione 1



### COLLEGAMENTO TRA ALIMENTATORE E RETE VIA POE (POWER OVER ETHERNET, CONSIGLIATA)

Per alimentare il dispositivo tramite uno switch PoE (ad es. D-Link DGS-1008P) o un iniettore PoE (ad es. il modello Gigabit DoorBird A1093) in conformità alla norma IEEE 802.3af Modo A, è necessario utilizzare i quattro fili di un cavo di categoria 5 o superiore, contrassegnati con le cifre 1,2,3 e 6. Utilizzare un cavo di rete di categoria 5 o superiore di alta qualità, adeguatamente schermato S/FTP o SFTP (Screened Foiled Twisted Pair), collegando la schermatura alla schermatura metallica esterna del connettore RJ45 (8P8C). Se si opta per l'alimentazione via PoE, i relativi quattro fili realizzano allo stesso tempo il collegamento dati.

Se lo switch/l'iniettore PoE non soddisfano la norma IEEE 802.3af Mode A il dispositivo non inizierà a funzionare (vedi LED PWR).



1. Staccare lo switch o l'iniettore PoE dalla rete elettrica.
2. Posare il cavo di rete verso il punto di installazione del dispositivo.

Per ulteriori informazioni sulla soluzione PoE invitiamo a consultare la pagina <http://www.doorbird.com/poe>



#### Opzione 2

### SOLUZIONE CON ALIMENTATORE (ACQUISTABILE NELLO SHOP DOORBIRD)

Per alimentare il dispositivo tramite un adattatore di rete sono necessari 2 fili isolati. La connessione di rete sarà in questo caso stabilita via cavo di rete. Gli alimentatori possono essere acquistati nel nostro shop online: <https://www.doorbird.com/shop/>



Non collegare subito l'alimentatore alla presa a muro. Utilizzare unicamente l'alimentatore fornito con il dispositivo o l'alimentatore per guida DIN acquistabile a parte, che sono stabilizzati in modo mirato per tale scopo e integrano un dispositivo atto a ridurre le interferenze audio. Gli alimentatori di altre marche potrebbero danneggiare irreversibilmente il dispositivo o comportare una scarsa qualità della trasmissione.



#### Opzione 3

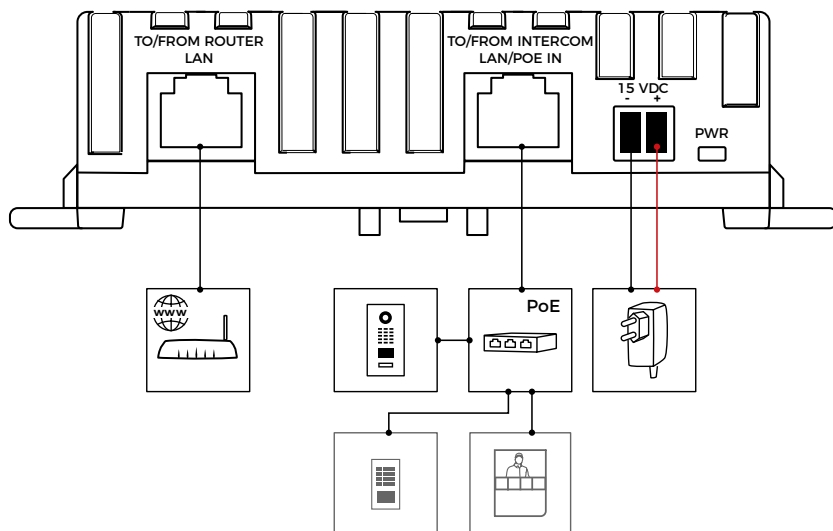
### SOLUZIONE CON ALIMENTATORE PER GUIDA DIN

Il nostro shop online propone alimentatori per guida DIN, da installarsi a cura di un tecnico specializzato. La connessione di rete sarà in questo caso stabilita via cavo di rete.

## COLLEGAMENTO DEL DISPOSITIVO

I cavi e i fili del dispositivo si possono collegare in tutta praticità e sicurezza utilizzando l'apposito morsetto a vite contrassegnato. Ora è possibile collegare al dispositivo tutti i cavi e fili necessari.

**NOTICE** Si raccomanda di rimuovere dalle porte di collegamento del dispositivo tutti i cavi e fili non necessari.



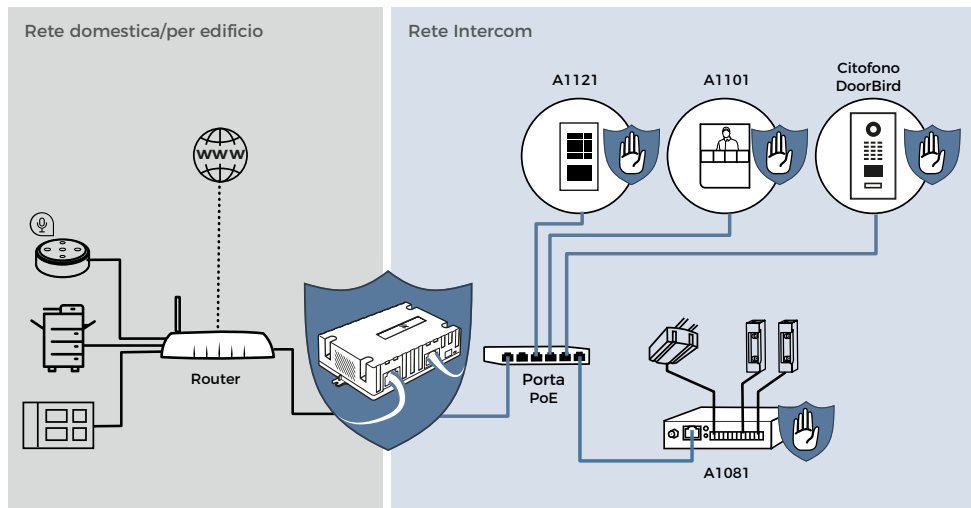
POE	DESCRIZIONE
TO/FROM ROUTER LAN	Jack RJ45 per collegare un cavo di rete (cat.5 o superiore) al segmento di rete collegato allo switch/router che fornisce una connessione internet attiva.
TO/FROM IN LAN INTERCOM/ POE	Jack RJ45 per collegare un cavo di rete (cat.5 o superiore) al segmento di rete collegato ai dispositivi DoorBird IP. Utilizzare questa porta per alimentare il dispositivo via PoE.
15 VDC -	Ingresso di alimentazione a 15 VDC, polo negativo (-). Se non si intende alimentare il dispositivo via PoE, collegare il filo nero dell'alimentatore (adattatore di rete) qui. <b>NOTICE</b> Non alimentare il dispositivo via alimentatore + rete elettrica (adattatore di rete) e PoE contemporaneamente.
15 VDC +	Ingresso di alimentazione a 15 VDC, polo positivo (+). Se non si intende alimentare il dispositivo via PoE, collegare il filo rosso dell'alimentatore (adattatore di rete) qui. <b>NOTICE</b> Non alimentare il dispositivo via alimentatore + rete elettrica (adattatore di rete) e PoE contemporaneamente.



In alternativa a PoE utilizzare un alimentatore DoorBird. Gli alimentatori possono essere acquistati nel nostro shop online: (CTIN/EAN: 4260423867314, cod. art.: 423867314)

## FUNZIONAMENTO

Il dispositivo A1051 Internet Firewall bloccherà di default tutto il traffico non essenziale per il funzionamento del sistema DoorBird. Tuttavia, in alcuni casi potrebbe essere necessario consentire ai componenti DoorBird o ad altri dispositivi (tra cui ad es. prodotti smart home) sul lato "TO/FROM INTERCOM LAN/PoE IN" del Firewall di connettersi a destinazioni specifiche. A tale scopo è possibile abilitare determinati indirizzi IP o host. Per maggiori informazioni invitiamo a consultare il manuale dell'app alla pagina <https://manual.doorbird.com/app>



Per consentire la connessione locale a un client non appartenente alla rete del firewall (ad es. un dispositivo mobile con app DoorBird), è possibile attivare la funzione "Forward connected devices" nella sezione di gestione dell'app.

### 6

## ATTIVAZIONE DEL DISPOSITIVO



Prima di accendere il dispositivo Firewall Internet A1051 DoorBird disattivare l'alimentazione dei restanti dispositivi DoorBird in rete.

Attivare l'alimentazione verso la sede di montaggio. Se il LED PWR non si accende controllare l'alimentazione elettrica. Se si utilizza un alimentatore con collegamento a muro anziché un PoE, accertarsi di aver collegato correttamente al dispositivo i poli positivo e negativo.

Una volta che il Firewall A1051 sarà pienamente operativo, si potranno attivare i componenti DoorBird collegati al jack RJ45 "TO/FROM INTERCOM LAN/PoE IN". Nel caso tali componenti siano già stati attivati prima che il dispositivo fosse pienamente operativo sarà necessario riavviarli.




**NOTICE** Non alimentare il dispositivo via alimentatore + rete elettrica (adattatore di rete) e PoE contemporaneamente.

### LED PWR

Per accertarsi che il dispositivo sia alimentato controllare il LED PWR. Il LED PWR si accenderà circa 30-60 secondi dopo aver collegato il dispositivo alla rete elettrica e rimarrà acceso per 5 minuti. Per controllare lo stato della connessione consultare il display in alto. Se il LED PWR non si accende controllare l'alimentazione elettrica. In caso di alimentazione via PoE accertarsi di utilizzare un dispositivo PoE compatibile (<https://www.doorbird.com/poe>). Se si utilizza un alimentatore con presa a muro anziché PoE, accertarsi di aver collegato correttamente al dispositivo i poli positivo e negativo.

## DISPLAY PER MESSAGGI DI STATO

Per verificare se il dispositivo riceve corrente verificare .

-  TO/FROM ROUTER LAN connesso  
Connessione Internet disponibile
-  TO/FROM ROUTER LAN connesso  
Connessione Internet assente
-  TO/FROM ROUTER LAN non connesso  
Es.: nessun cavo di rete collegato

## SPECIFICHE TECNICHE

Dimensioni	104 x 75 mm x 34 mm (H x L x P) 4,10 x 2,96 x 1,32 pollici (H x L x P)
Alimentazione elettrica	15 V DC o Power over Ethernet (PoE IEEE 802.3 af o superiore) Switch e iniettore PoE o alimentatore non inclusi
Consumo energetico	1 W
Condizioni operative	da 0 a +55 °C / 32 - 131 °F Umidità relativa 0% - 85% (non condensante)
Classe di protezione	IP 30
Montaggio	· Guida top-hat / DIN · Montaggio a muro
Omologazioni	CE, FCC, IC, RoHS, WEEE, UKCA
Connettori e interfaccia	2 prese RJ45 (10/100 Base-T) · TO/FROM ROUTER LAN · TO/FROM INTERCOM LAN/PoE IN
Display	1 morsetto a vite · Ingresso 15 V DC (-/+)  Display LCD di stato · Retroilluminazione (blu) · Display di stato rete  LED PWR
Caratteristiche	Filtro di rete: Filtra in maniera attiva il traffico di rete e impedisce accessi non autorizzati  Server DHCP: Server DHCP integrato (10.223.x.x), max. 1000 dispositivi mobili  Whitelist di indirizzi IP: Abilitazione di indirizzi IP o domini ad esempio per funzioni di comando per sistemi di smart home

Requisiti di sistema	Dispositivo mobile: ultima versione iOS su iPhone/iPad, ultima versione Android su smartphone/tablet Internet: Linea fissa ad alta velocità connessione Internet a banda larga DSL, cavo o fibra, non server SOCKS o proxy  Rete: Rete Ethernet con DHCP  Compatibile con tutti i videofonini IP e periferiche DoorBird
Fornitura in dotazione	1 dispositivo Internet Firewall A1051 1 manuale di installazione 1 guida rapida con passaporto digitale Minuteria
Peso	155 g
Codice EAN	4260423872103
Accessori consigliati	Alimentatore (GTIN/EAN: 4260423867314, Cod. art.: 423867314)

## INFORMATIVA LEGALE

### Generalità

1. DoorBird è un marchio registrato della società Bird Home Automation GmbH.
2. Apple, il logo Apple, Mac, Mac OS, Macintosh, iPad, Multi-Touch, iOS, iPhone e iPod touch sono marchi di Apple Inc.
3. Google, Android e Google Play sono marchi di Google, Inc.
4. Il marchio denominativo e i loghi Bluetooth® sono marchi di Bluetooth SIG, Inc.
5. Tutte le altre denominazioni aziendali e di prodotti possono essere marchi delle rispettive aziende a cui vengono associati.
6. Ci riserviamo il diritto di modificare i nostri prodotti ai fini dell'ulteriore sviluppo tecnologico. I prodotti raffigurati possono differire nell'aspetto da quelli consegnati in virtù del loro costante sviluppo.
7. La riproduzione o l'estrazione anche parziale di testi, immagini e fotografie in qualsivoglia media tratti dalle presenti istruzioni necessita espressamente della nostra previa autorizzazione scritta.
8. La realizzazione delle presenti istruzioni è soggetta al diritto d'autore. Decliniamo ogni responsabilità per eventuali errori nonché inesattezze nei contenuti o refusi (anche per quanto riguarda i dati tecnici o all'interno di grafici o disegni tecnici).
9. I nostri prodotti rispettano le direttive tecniche nonché le disposizioni elettriche e in materia di telecomunicazioni in vigore in Germania, nella UE e negli USA.
10. I nostri prodotti e rispettivi componenti (IC, software, ecc.) possono essere utilizzati esclusivamente per finalità civili, non militari.

### Protezione e sicurezza dei dati

1. Al fine di garantire massima sicurezza, il dispositivo utilizza le stesse tecnologie di cifratura in uso nell'ambito dell'online banking. Per la sicurezza dell'utenza non viene fatto uso del port forwarding o del DynDNS.
2. La sede del centro di calcolo per l'accesso remoto tramite app online è tassativamente nella UE se l'indirizzo IP del dispositivo rilevato ha sede in Unione europea. Il centro di calcolo viene gestito secondo le norme di sicurezza più severe.
3. I metodi di monitoraggio, tra cui quelli video e audio, possono essere regolamentati da leggi che variano in funzione del Paese di installazione. Prima di installare e utilizzare l'apparecchio per scopi di monitoraggio invitiamo pertanto a verificare le leggi vigenti nel rispettivo Paese.

Se il dispositivo è un citofono da esterni, un citofono da interni o un videocitofono:

- in molti Paesi le immagini video e l'audio possono essere trasmessi solo dopo che il visitatore ha suonato il campanello (protezione dei dati, configurabile nell'app);
- effettuare il montaggio in modo tale che l'area di registrazione della videocamera sia limitata esclusivamente alla zona immediatamente circostante l'ingresso.
- Il dispositivo dispone all'occorrenza di una cronologia dei visitatori e di un sensore di movimento. Se necessario, è possibile attivare/disattivare queste funzioni.

Invitiamo a informarsi presso il proprietario e il condominio se è consentito installare e utilizzare questo prodotto. Bird Home Automation GmbH declina qualsiasi responsabilità per l'uso improprio o la configurazione errata del prodotto, ivi compresa l'apertura indesiderata di una porta.

Bird Home Automation non può essere ritenuta responsabile per danni derivanti da installazioni improprie, già esistenti o recenti.

In caso di necessità, segnalare la presenza del dispositivo in modo adeguato nel punto più opportuno.

Rispettare tutte le normative locali applicabili al luogo dell'installazione in materia di utilizzo dei componenti e videocamere di sorveglianza.

Gli aggiornamenti software o del sistema operativo (i cosiddetti "aggiornamenti del firmware") dei prodotti Bird Home Automation GmbH vengono solitamente effettuati in automatico, ove tecnicamente possibile, via connessione Internet. Attraverso gli aggiornamenti automatici del firmware, il software dei prodotti viene aggiornato all'ultima versione per garantire un funzionamento sempre affidabile, sicuro e performante. Grazie al costante lavoro di sviluppo, è possibile che alcune funzioni vengano aggiunte in un secondo momento, ampliate o lievemente modificate. Bird Home Automation GmbH provvede di norma ad apportare modifiche di notevole entità o a limitare funzioni già presenti solo qualora lo ritenga necessario (ad esempio per salvaguardare la sicurezza e la tutela dei dati, per garantire maggiore stabilità o per tenerle aggiornate allo stato della tecnica). Solitamente, se è disponibile un aggiornamento

del firmware, i server di Bird Home Automation GmbH lo trasmettono automaticamente a tutti i prodotti compatibili collegati a Internet o al server di Bird Home Automation GmbH. Questo processo avviene per gradi e può richiedere diverse settimane. Quando un prodotto riceve l'aggiornamento del firmware, lo installa e solitamente si riavvia. Gli aggiornamenti del firmware già installati sono irreversibili. Dal momento che i prodotti e il software di Bird Home Automation GmbH non sono realizzati espressamente su misura per i clienti, un cliente non può interrompere un aggiornamento automatico se il prodotto è collegato a Internet o al server di Bird Home Automation GmbH.

### Publicato da

Bird Home Automation GmbH  
Uhländstraße 165  
10719 Berlino  
Germania  
Web: [www.doorbird.com](http://www.doorbird.com)  
E-mail: [hello@doorbird.com](mailto:hello@doorbird.com)

Queste istruzioni potrebbero presentare difetti di stampa o refusi. È

nostra cura verificare periodicamente le informazioni qui contenute e provvedere alle correzioni del caso in vista della ristampa successiva. Si declina qualsiasi responsabilità per errori di natura tecnica o di stampa ed eventuali conseguenze.





