



SONY
Image sensor technology

OSRAM
LED TECHNOLOGY INCLUDED

1080P
FULLHD

D1101KH MODERN

IP VIDEO DOOR STATION

Surface-mount • 1 Call Button • Keypad Module

 Designed,
developed and
made in Germany

ANSWER YOUR DOOR ANYWHERE.

ADVANTAGES

HOW DOES IT WORK?

Imagine, you are not at home and your children have locked themselves out or the courier wants to deliver a parcel. With DoorBird this is no longer a problem. Every time someone rings the doorbell you will get a push notification on your smartphone or tablet. Via the DoorBird App you can talk to visitors and also see them live in HD quality. You will never miss a visitor again. With DoorBird you are on the move and yet at home, even if a burglar rings at the door to check if someone is at home.

SMART HOME STARTS AT THE FRONT DOOR

DoorBird is the smart solution for your house entrance. Simply connect your DoorBird IP Video Door Station to your smartphone and talk to your visitor - anywhere you are. The IP Video Door Station can be used as a stand-alone unit or can be integrated into an existing Smart Home platform. Even existing classic installations such as an electric door opener can still be used and controlled via the DoorBird App.

QUALITY MADE IN GERMANY

All DoorBird products are designed, developed and produced by Bird Home Automation Group in Berlin, Germany. We manufacture all products with the greatest care and precision, and deliver them to our customers all over the world.



Open API

- Local interface for integration with third-party systems and SIP



Video and audio call

- On smartphones, tablets (iOS, Android), IP and landline phones (SIP)



Smart Transmission Mode (STM)

- Real-time audio / video communication, optimized for mobile devices via WiFi, 3G, 4G, 5G



Smart Home & NVR compatible

- Control4, Loxone, Crestron, Synology, AVM FRITZ!Fon, URC, QNAP, RTI, ELAN, Fibaro,



Automatic door buzzer

- For use in medical offices and office environments



Free visitor history

- Store still images for free, optional video recording available



Individual action schedules, e.g.:

- Trigger relay 1 for automatic door release Mo-Fr from 9 am until 4 pm when the call button is pressed
- 4D motion sensor switches on external lamp between 9 pm and 6 am



Geofencing

- Automatic door and gate opening when returning home



Night vision

- With Infrared LEDs



HD HDTV Video

- Ultra wide-angle, hemispheric lens, 180°



Light sensor

- For night vision mode



One freely configurable bistable latching relay

- Control one door or one gate via App
- Status configurable via App: temporary or permanent circuit



Easy self-install

- Quick installation via QR code scan



Configurable stainless steel button

- With illuminated LED ring



Motion sensor with 4D technology

- Distance up to 6 m (19.7 ft) adjustable via App (interval: 1 m/3.3 ft)



Noise reduction and echo cancellation (AEC, ANR)



Keypad Module

- Configurable via App
- More than 500 individual PIN codes
- Individual events (e.g. switch a relay, HTTP(s) requests)



Easy connection to the network

- Connection via a network cable or bell wire via 2-Wire Ethernet PoE Converter "DoorBird A1071" (PoE, network data)



Microphone

- Clear voice transmission

GENERAL	
Front panel	3 mm (0.12 in) Available in brushed stainless steel V2A / V4A
Mounting housing (backbox)	Stainless steel
Mounting type	Surface-mounted, flush-mounted version sold separately
Call button	Plastic Metal cover plate and engraving available separately, see www.doorbird.com/de/buy
Nameplate	Illuminated
Keypad Module	12 keys, illuminated, configurable via App, e.g. <ul style="list-style-type: none"> Individual PIN codes Individual events (e.g. switch a relay, HTTP(s) request) Individual schedules Up to 1000 PIN codes manageable
Power supply	15 V DC (max. 15 W) or Power over Ethernet (PoE 802.3af Mode-A)
Weight	2420 g
Connectors	<ul style="list-style-type: none"> LAN/PoE (T+, T-, R+, R-) Bistable latching relay, max. 1-24 V DC/AC, 1 A, e.g. for electric door opener External input for external door opener button 15 V DC input (+, -), max. 15 W
Protection class	IP65, IK08
Approvals	IP65, CE, FCC, IC, RoHS, REACH, IEC/EN 62368, IEC/EN 62471
Dimensions	182,00 x 219,00 x 72,50 mm (H x W x D) 7.17 x 8.62 x 2.85 in (H x W x D)
Operating conditions	-25 to +55°C / -13 to 131°F Humidity 10 to 85 % RH (non-condensing)
Scope of delivery	1x Main Electrical Unit 1x Front panel 1x Surface-mounting housing (backbox) 1x Power supply unit (mains adaptor) with up to 4 country-specific outlet adaptors (110 - 240 V AC to 15 V DC) 1x RJ45 adapter 1x Screwdriver 1x Quickstart guide with Digital Passport 1x Installation manual 1x Small parts
Warranty	see www.doorbird.com/warranty

CURRENT SYSTEM REQUIREMENTS

System requirements	Mobile device: Newest iOS on iPhone/iPad, newest Android on Smartphone/Tablet Internet: High-Speed Landline Broadband Internet connection, DSL, cable or fiber optic, no socks or proxy server Network: Ethernet Network, with DHCP
Recommended installation height	Camera lens should be at a min. height of 145 cm (57 in). Before the installation please determine your optimal installation height.

VIDEO

Camera	HDTV 1080p, dynamic (VGA - HDTV)
Lens	High-end ultra wide-angle hemispheric lens 180° (D), 150° (H), 82° (V), straightened, IR-capable
Night vision	Yes, light sensor, automatic IR-cut filter, Infrared LEDs (850 nm)

AUDIO

Audio components	Speaker and microphone, noise reduction and echo cancellation (ANR, AEC)
Audio streaming	Two-way, full duplex

NETWORK

Ethernet	PoE 802.3af Mode-A, 10/100 Base-T
Supported protocols	HTTP, HTTPS, SSL/TLS, Bonjour, DNS, RTSP, RTP, TCP, UDP, RTCP, ICMP, DHCP, ARP, SIP, DTMF (RTP [RFC-2833], SIP INFO [RFC-2976]), STM

MOTION SENSOR

Type	Active
Detection angle	80° (H), 50° (V)
Range	1 - 6 m (3.3 - 19.7 ft), depends on environment, configurable in 1 m (3.3 ft) steps.
Technology	4D. Based on multiple integrated sensors and algorithms, e.g. Radio Frequency Energy (RFE)
Configuration	Via App, e.g. <ul style="list-style-type: none"> Range (1 - 6 m / 3.3 - 19.7 ft) Movement direction (coming, leaving, both) Individual events (e.g. switch a relay, push notification, SIP call [audio/video], HTTP(s) requests) Individual schedules

INTEGRATED WIRELESS MODULES

Bluetooth	Bluetooth Low Energy (BLE), compatible with DoorBird Bluetooth Keyfob Remote A8007
Sensor	24 GHz, can be disabled

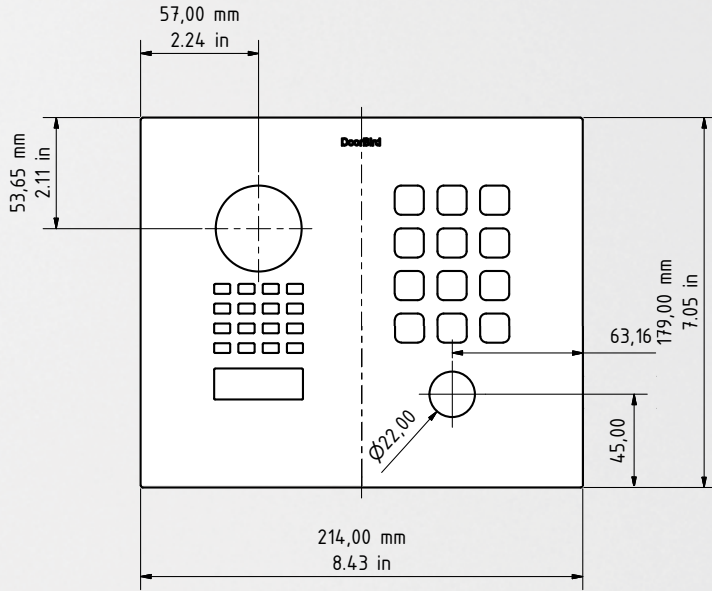
THIRD-PARTY INTEGRATION (DOORBIRD CONNECT)

Partner integrations	see www.doorbird.com/connect
API	see www.doorbird.com/api
Simultaneous video streams	One, for event-based recording

OPTIONAL ACCESSORIES

Sold separately	see www.doorbird.com/buy
-----------------	--

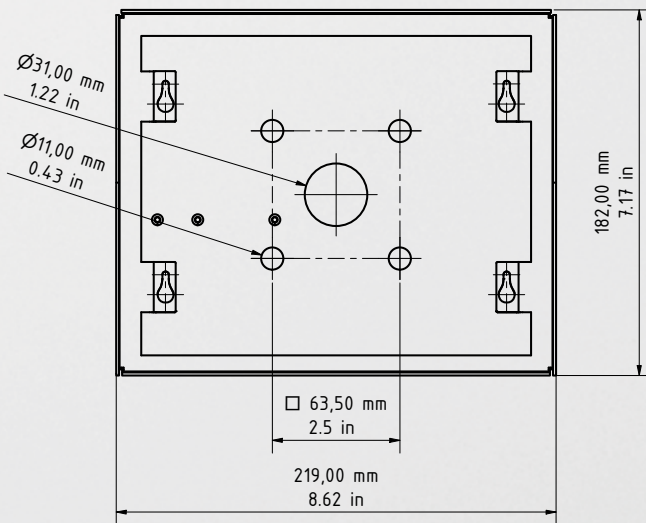
Front panel material thickness: 3.0 mm (0.12 in)



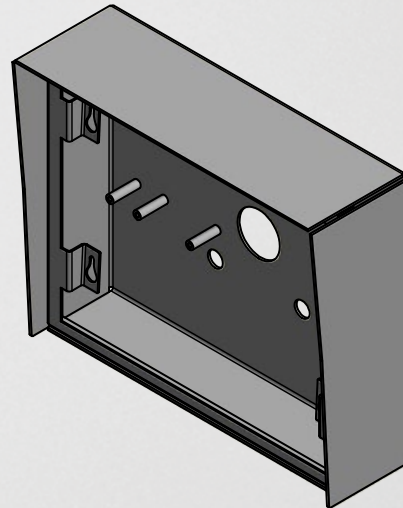
Front panel



Housing (backbox)



Housing (backbox)





DoorBird